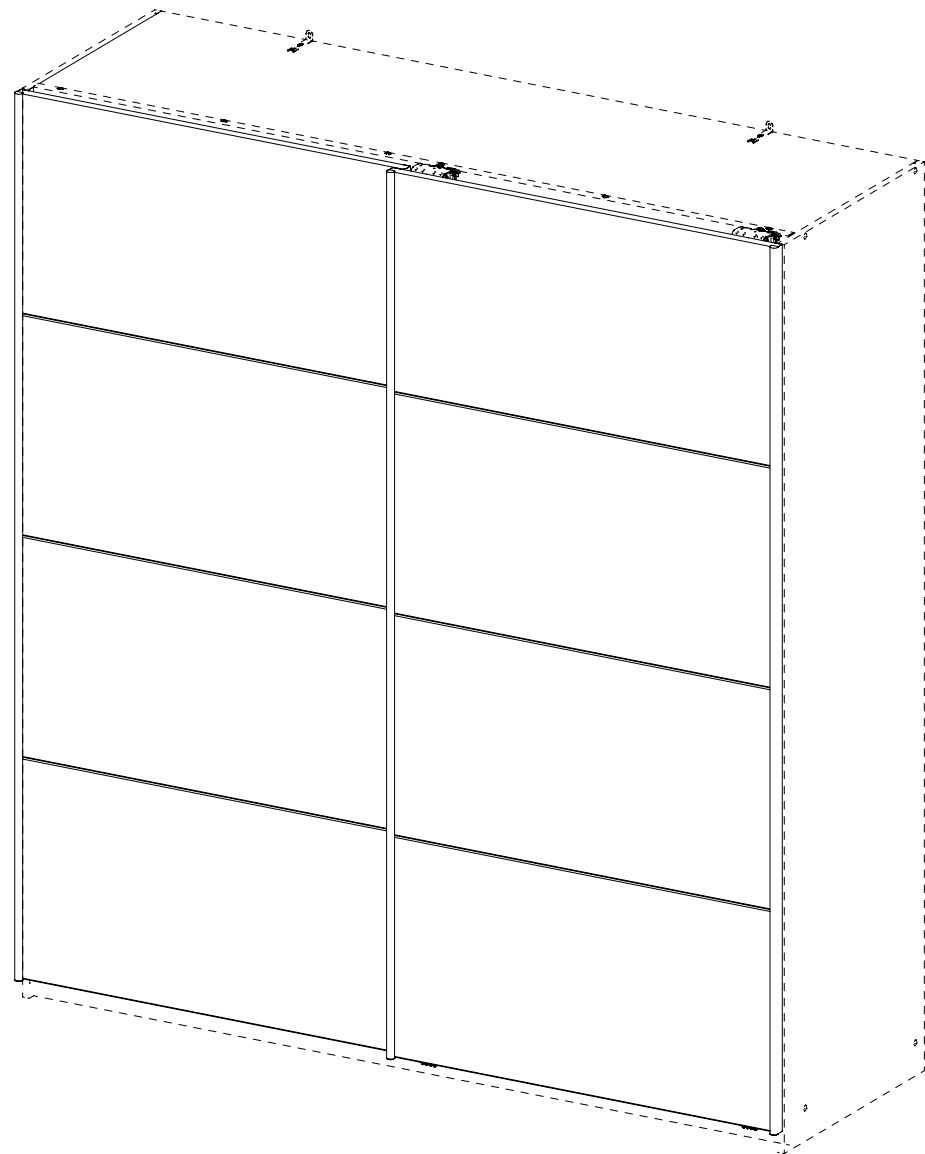
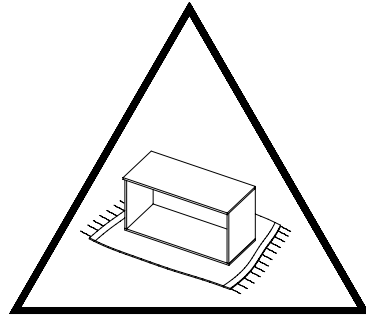
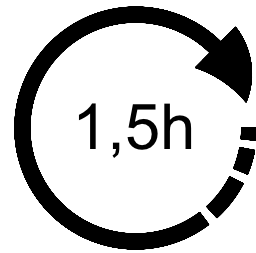
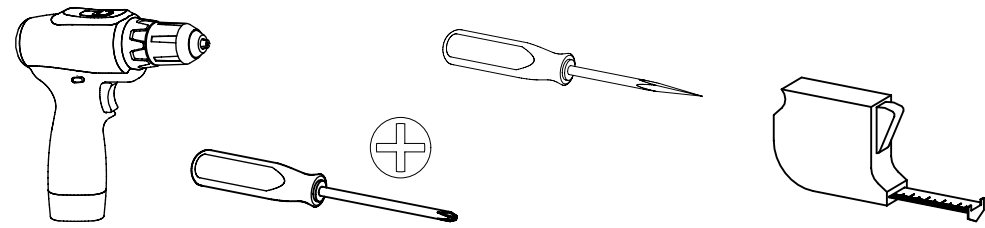


1.

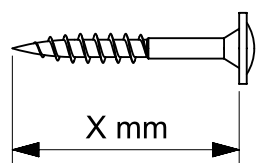
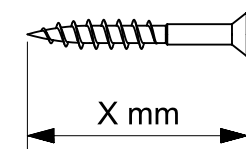
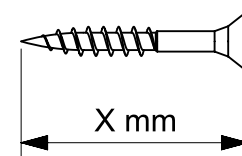
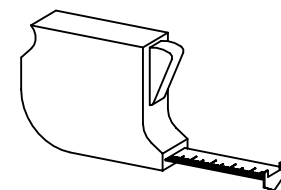
M9979_02

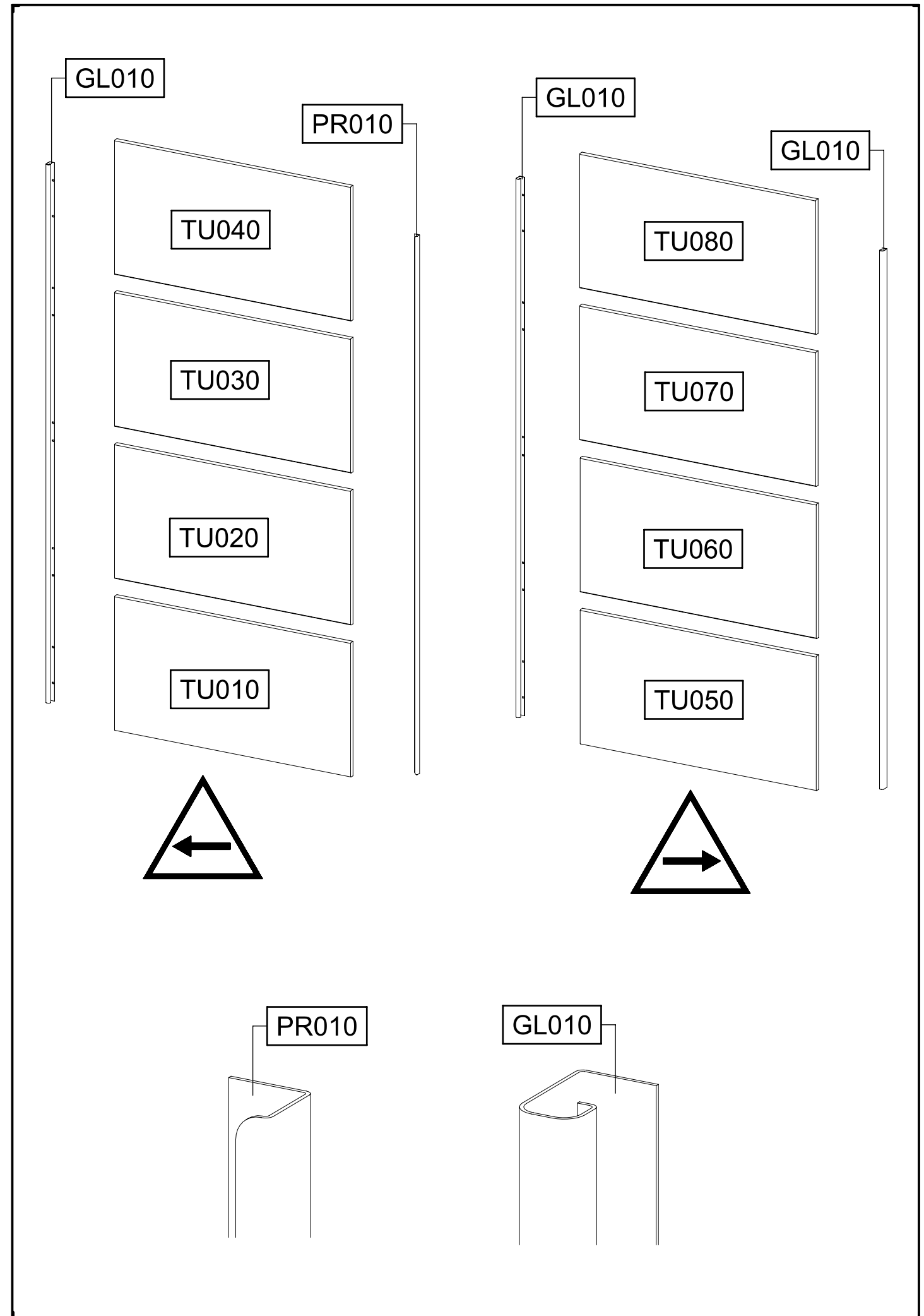
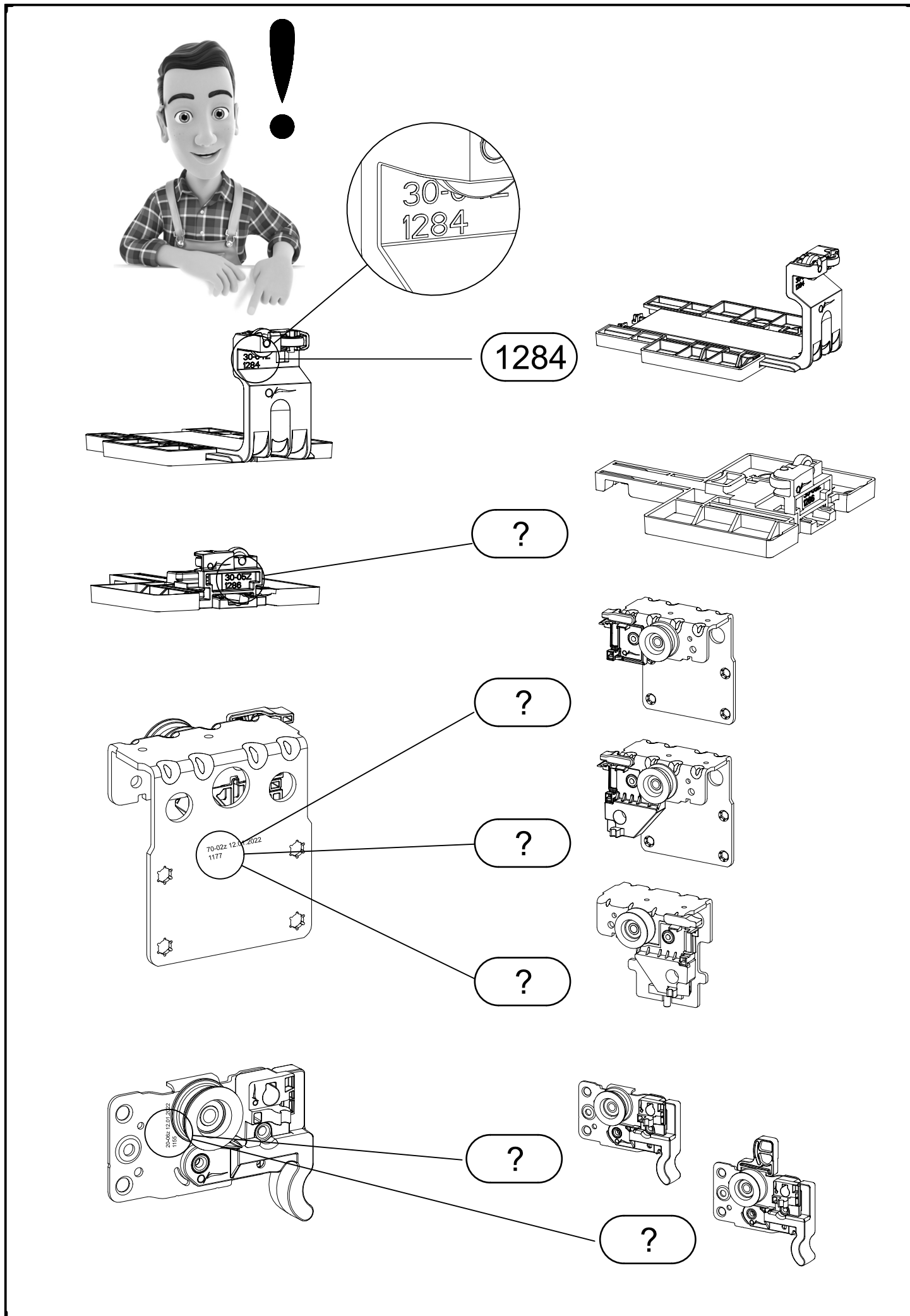
rauch

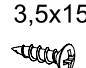
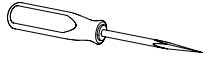
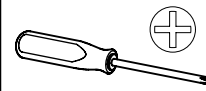


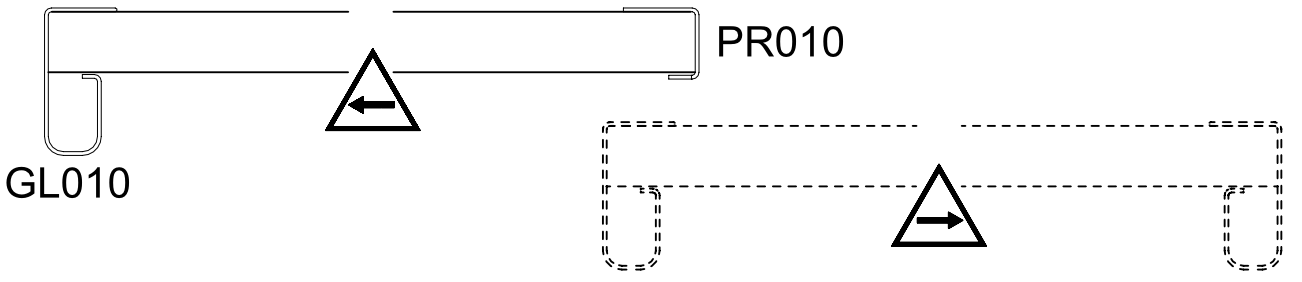

2.


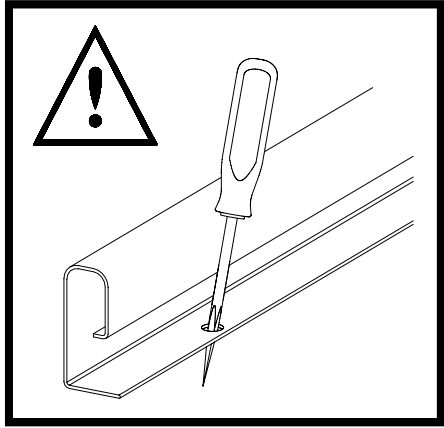
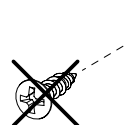
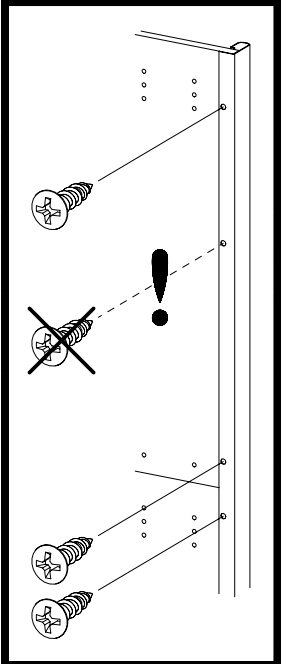
| | | |
|----------------|--------------------------|---------------------------|
| 6x 145 | 56x 205 3,5x15 | 8x 857 72x15x2 |
| 1x 1155 | 1x 1156 | 24x 1173 6,3x14 |
| 1x 1177 | 1x 1178 | |
| 2x 1284 | 2x 1286 | |

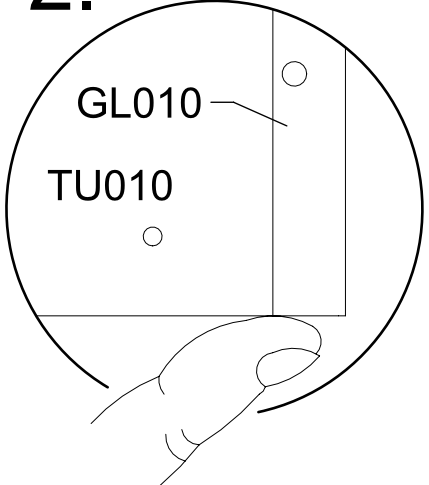
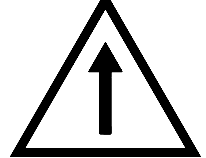
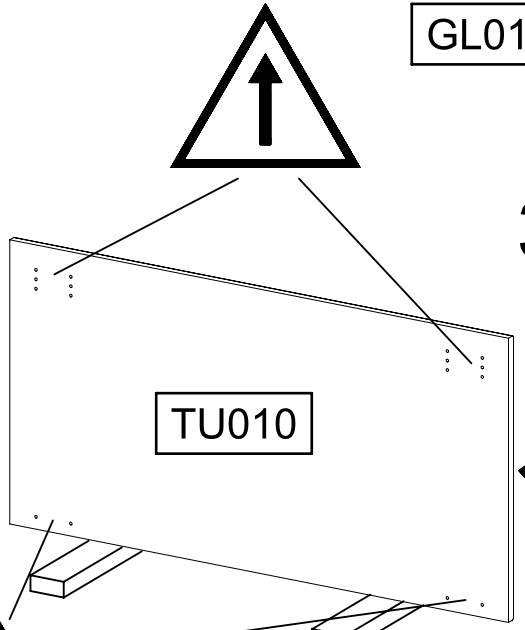


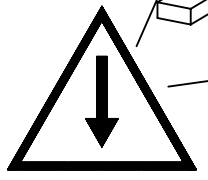
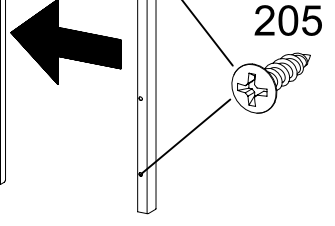


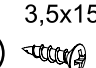
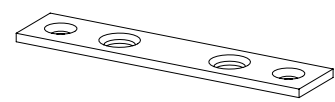
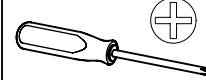
1. **2x** (205) 3,5x15   



GL010  PR010 

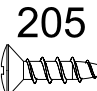
1.    

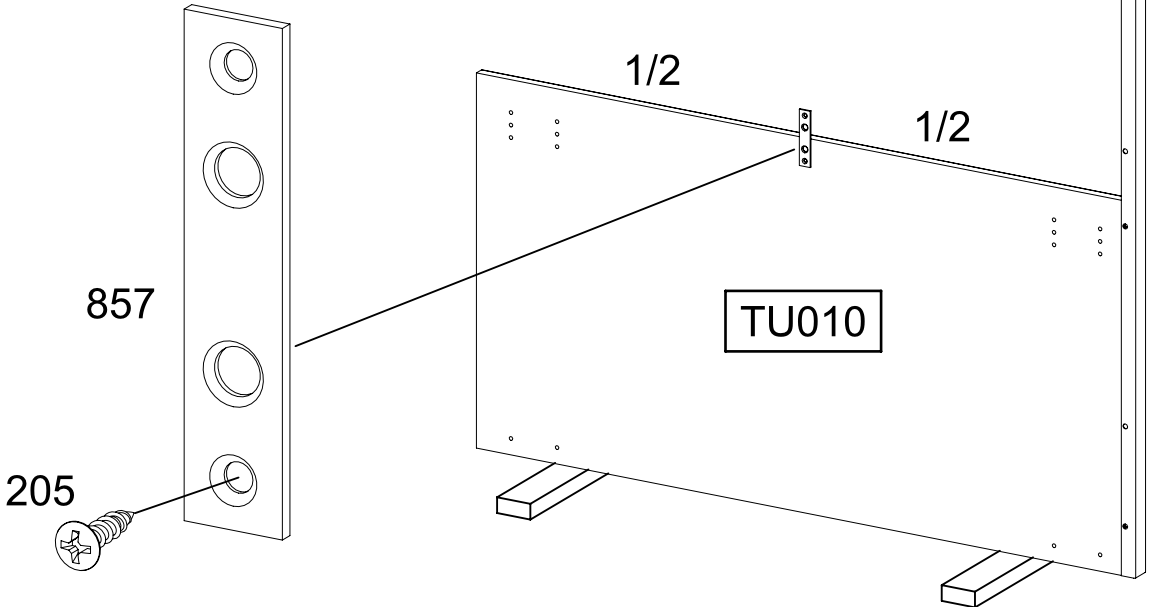
2.   

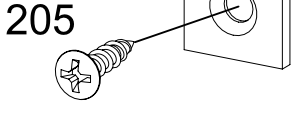
3.  

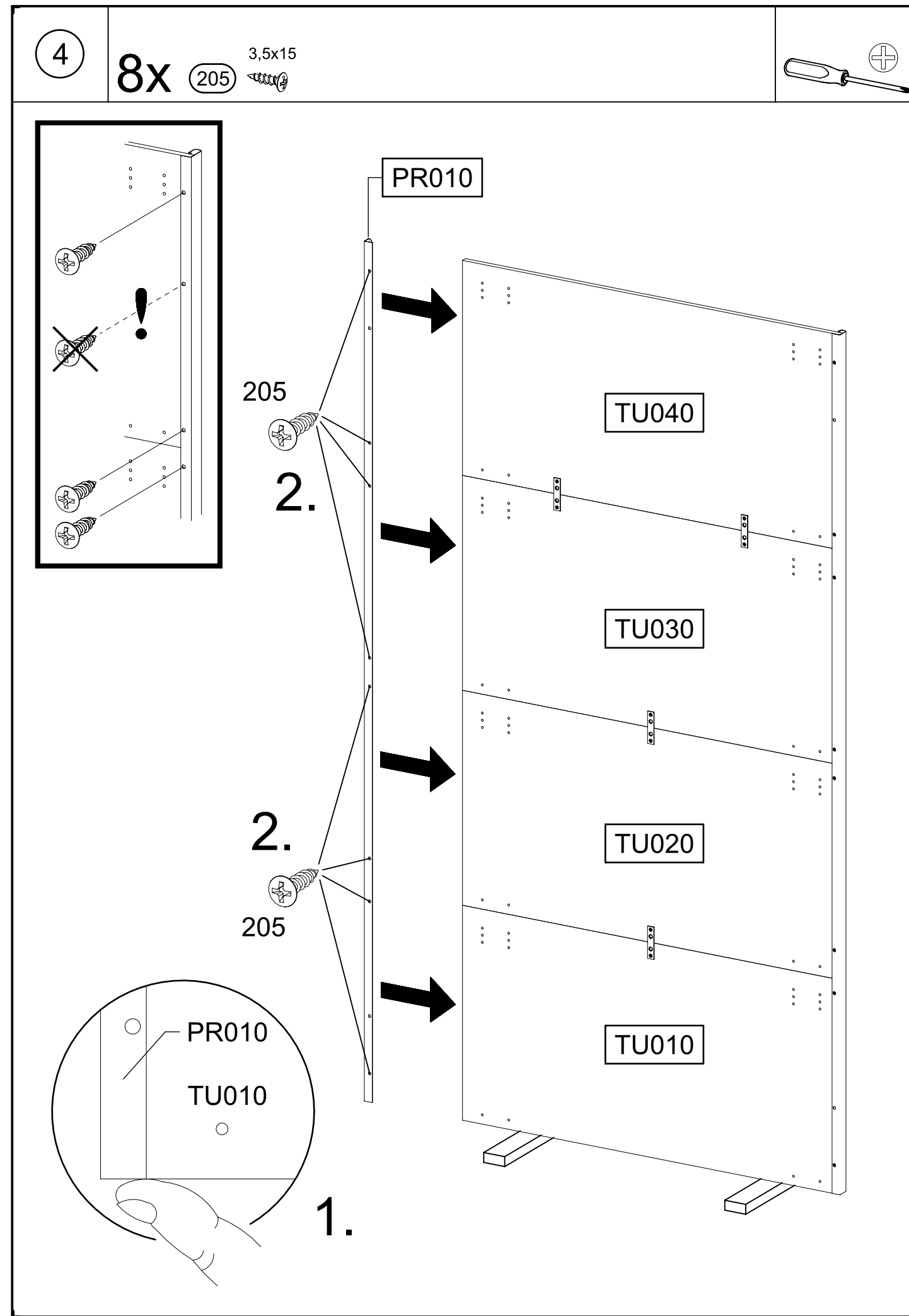
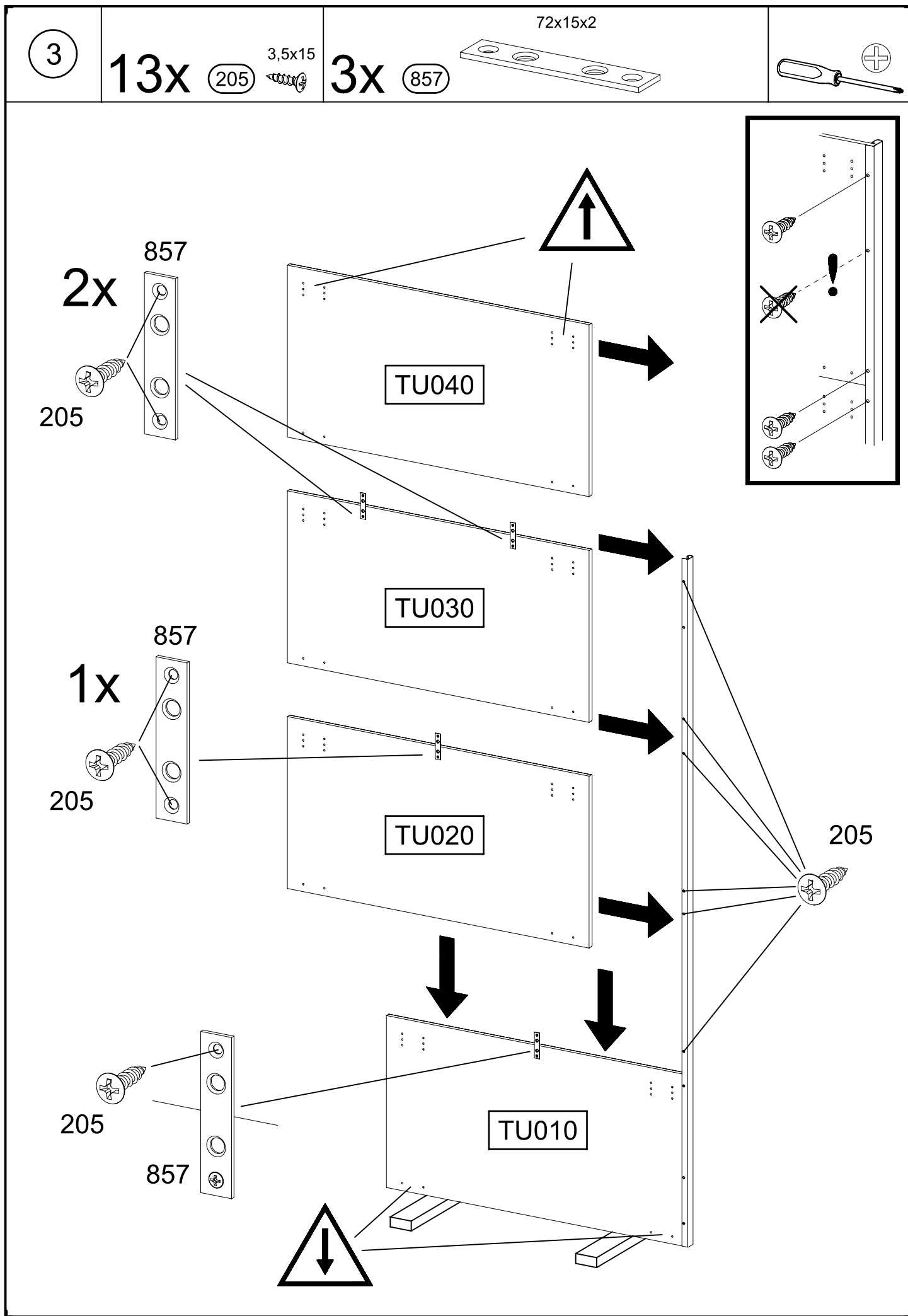
2. **1x** (205) 3,5x15  **1x** (857)  

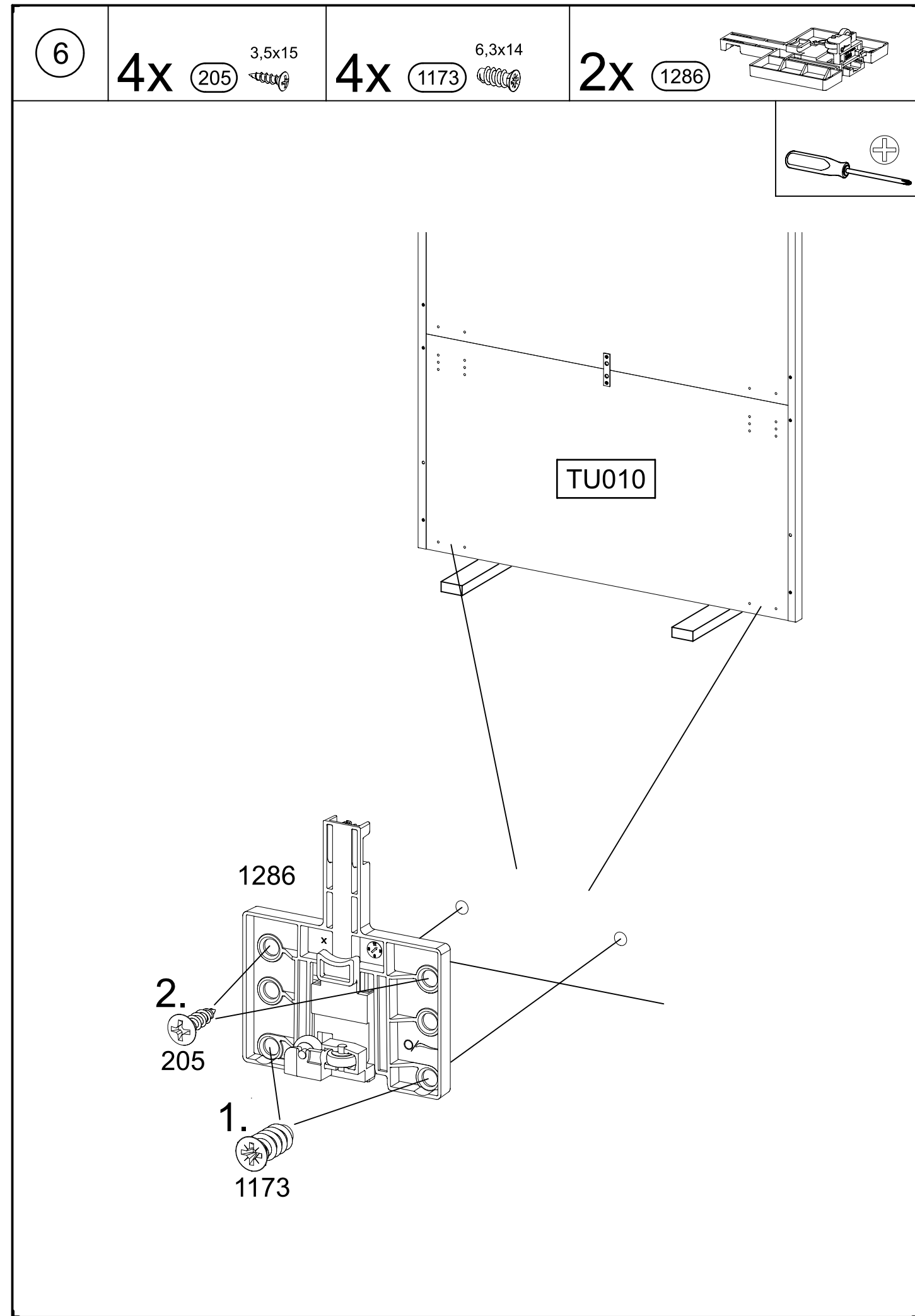
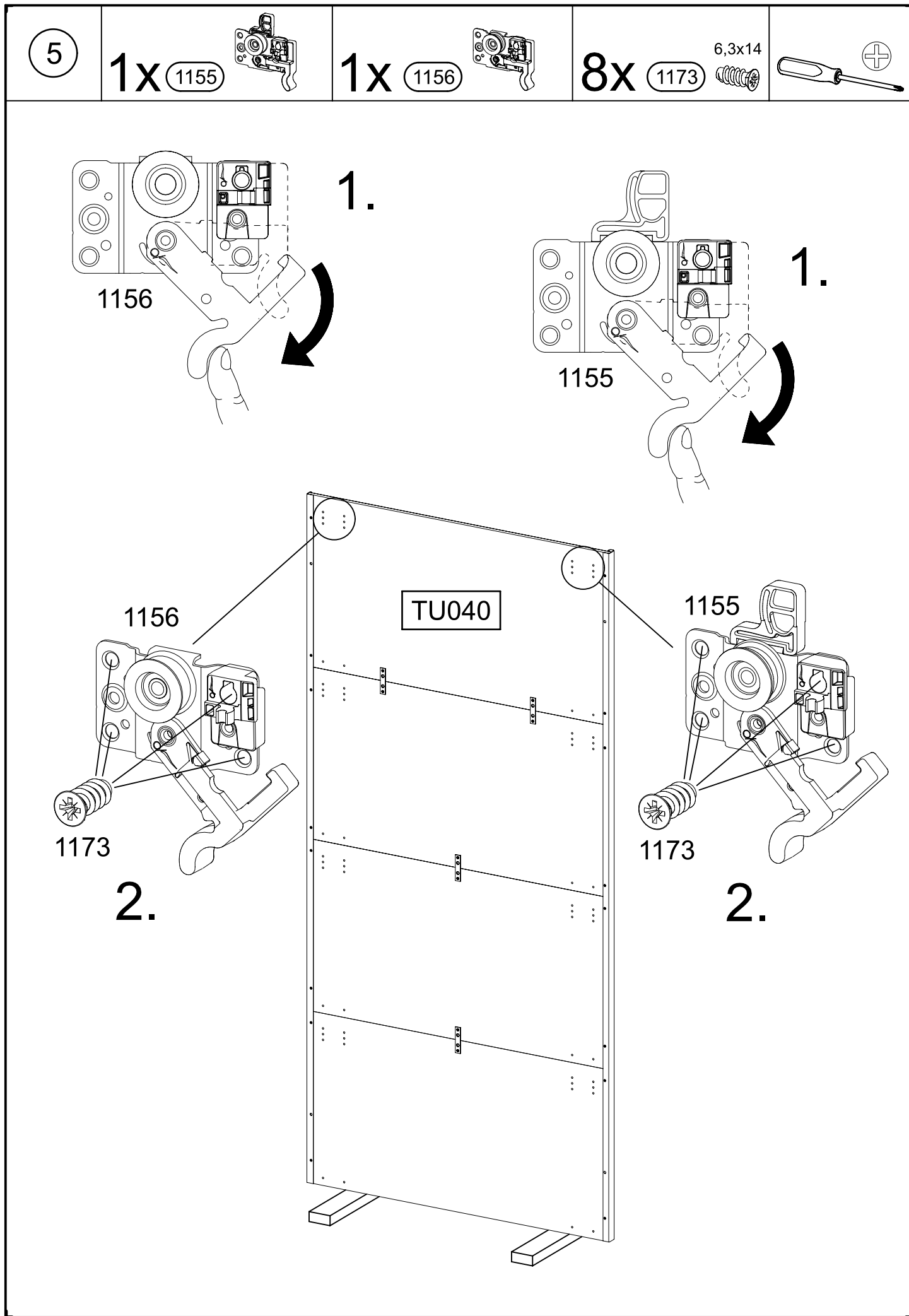
857  1/2  1/2

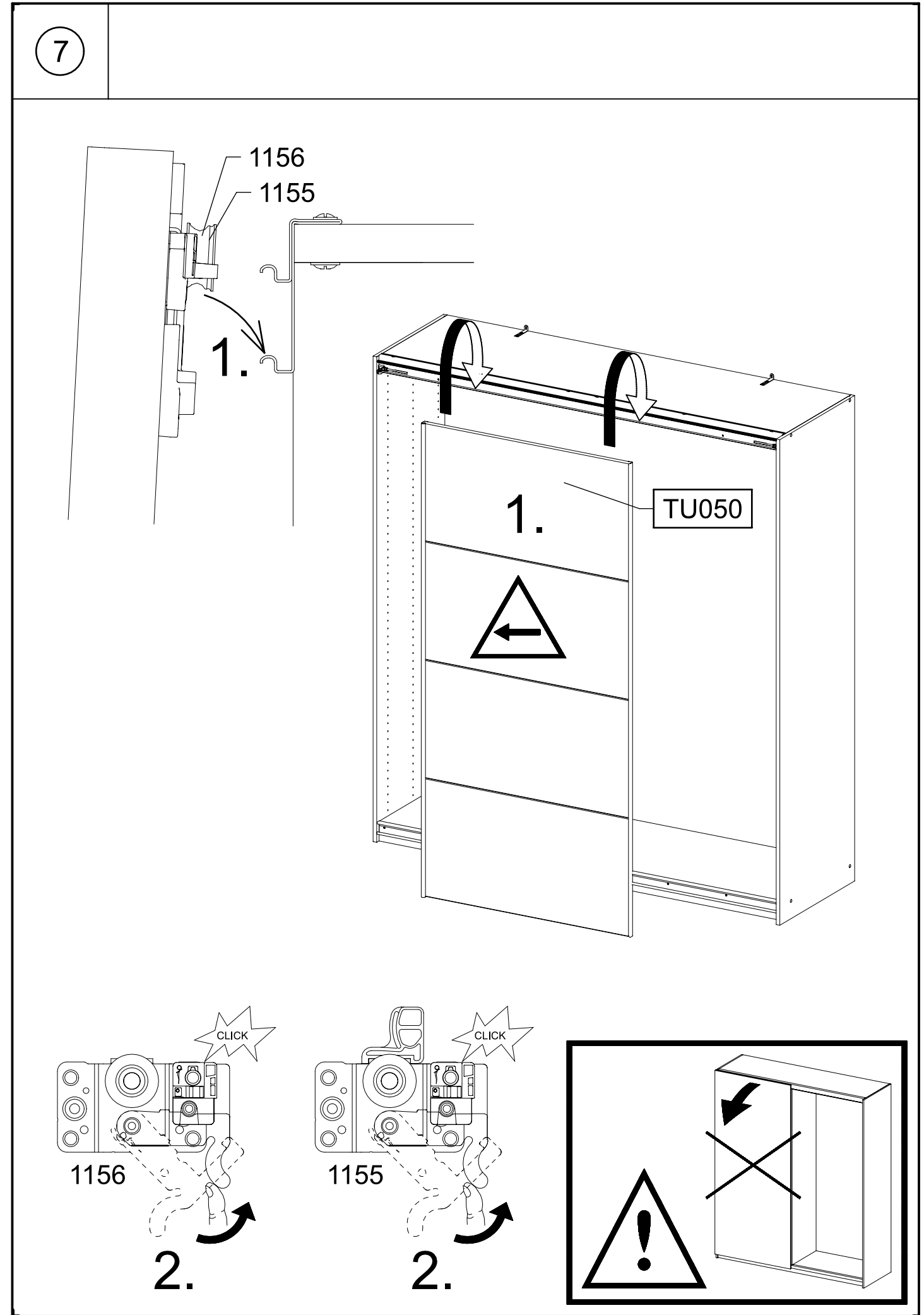
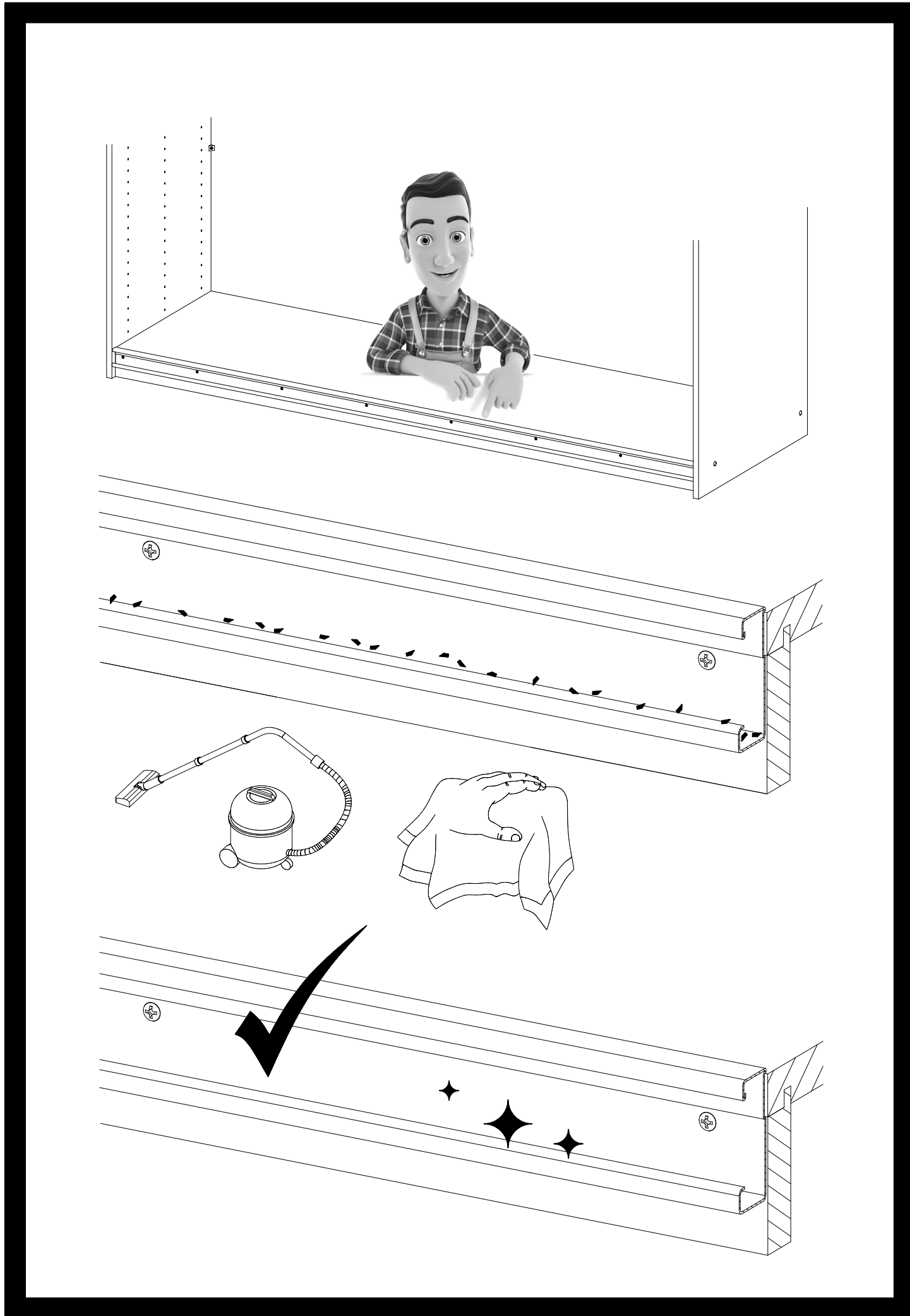
205  TU010

857 

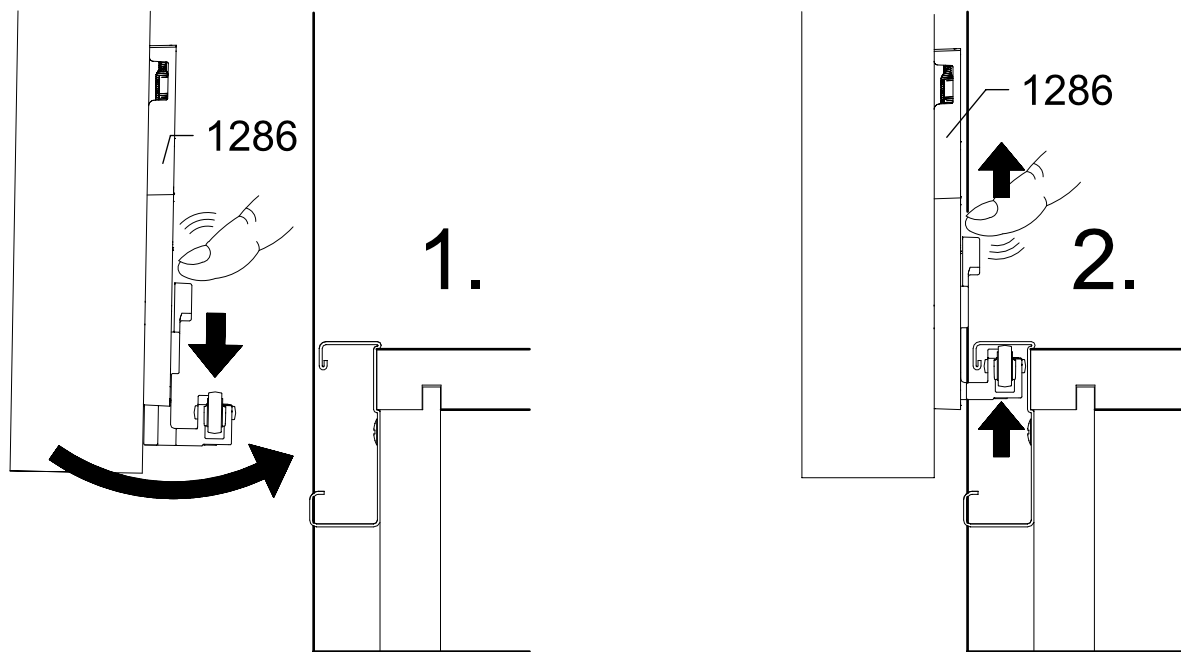
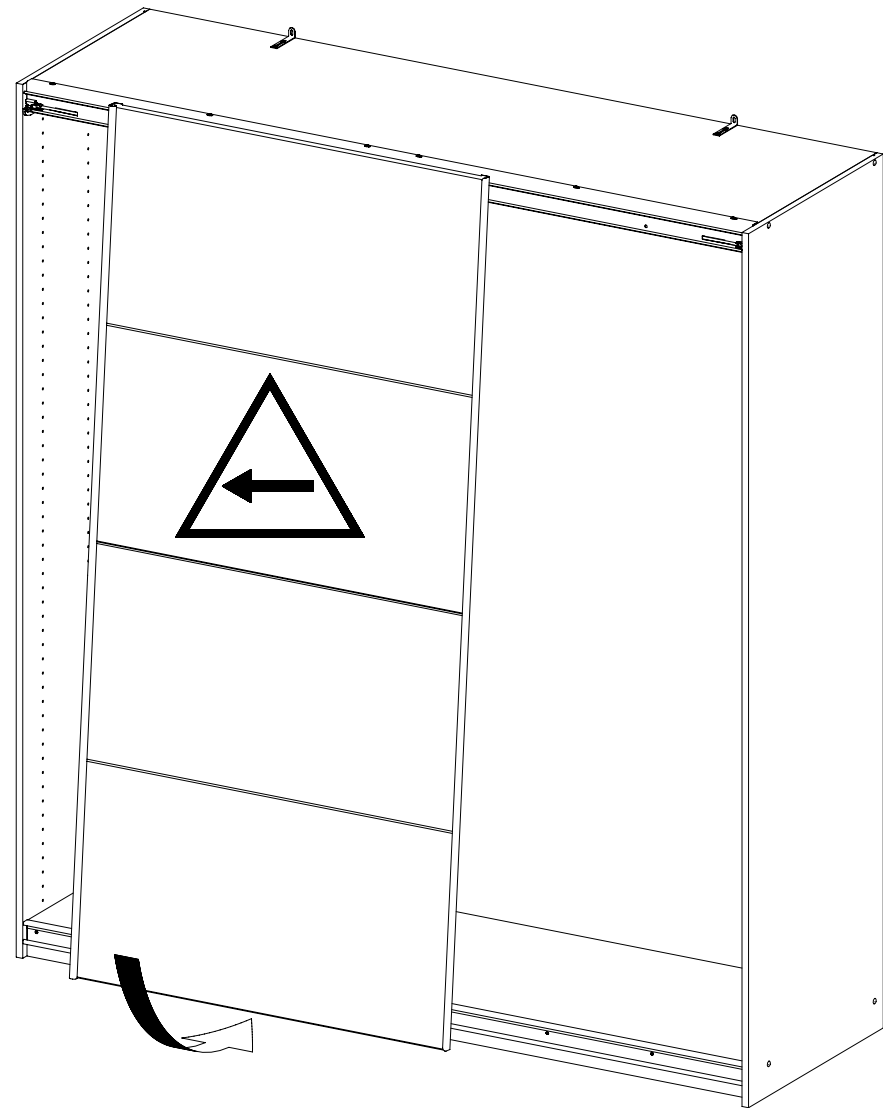
1/2 





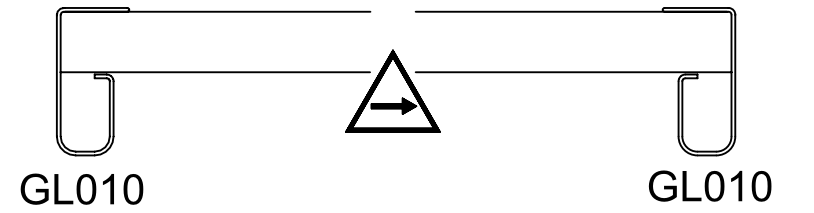
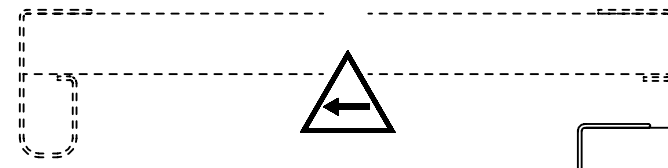
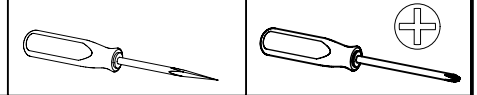


8

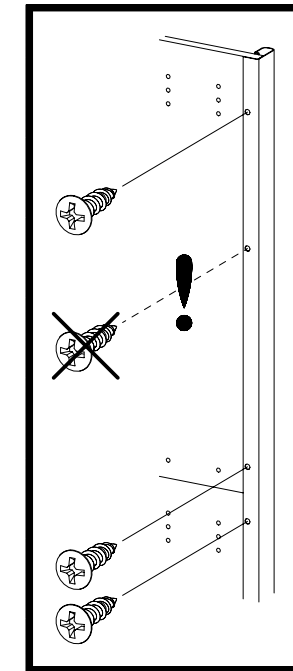
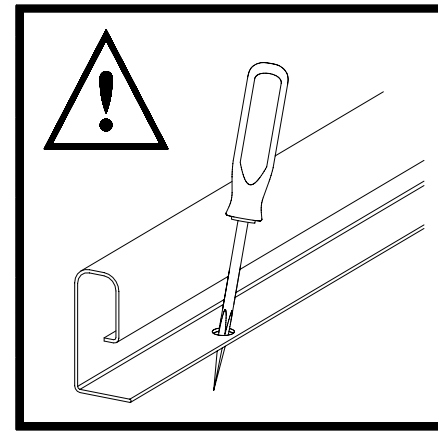


9

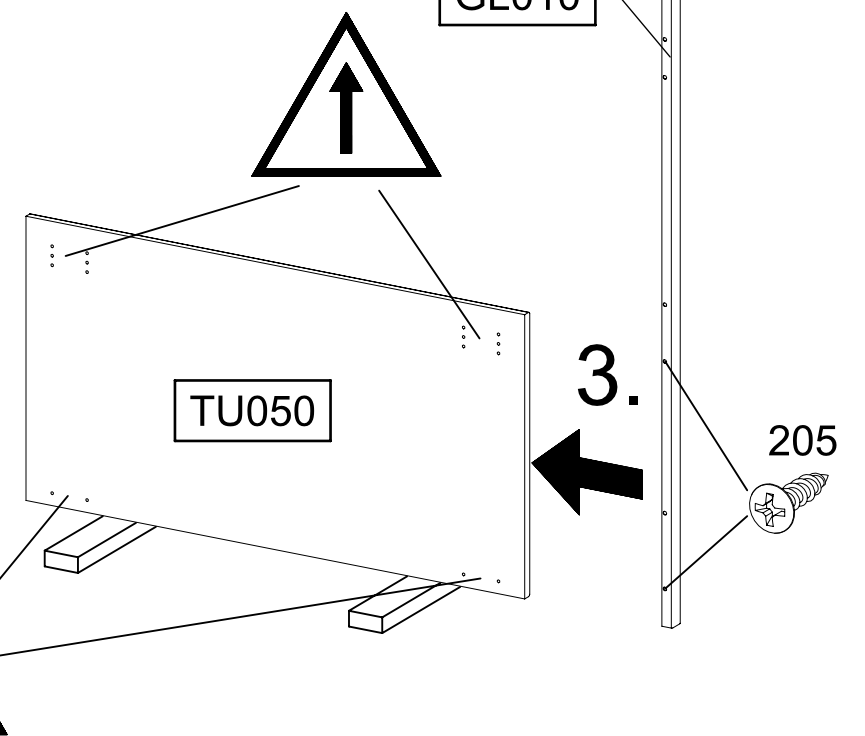
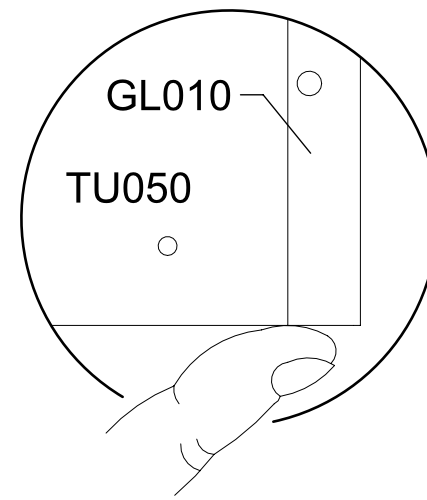
2x 205 3,5x15

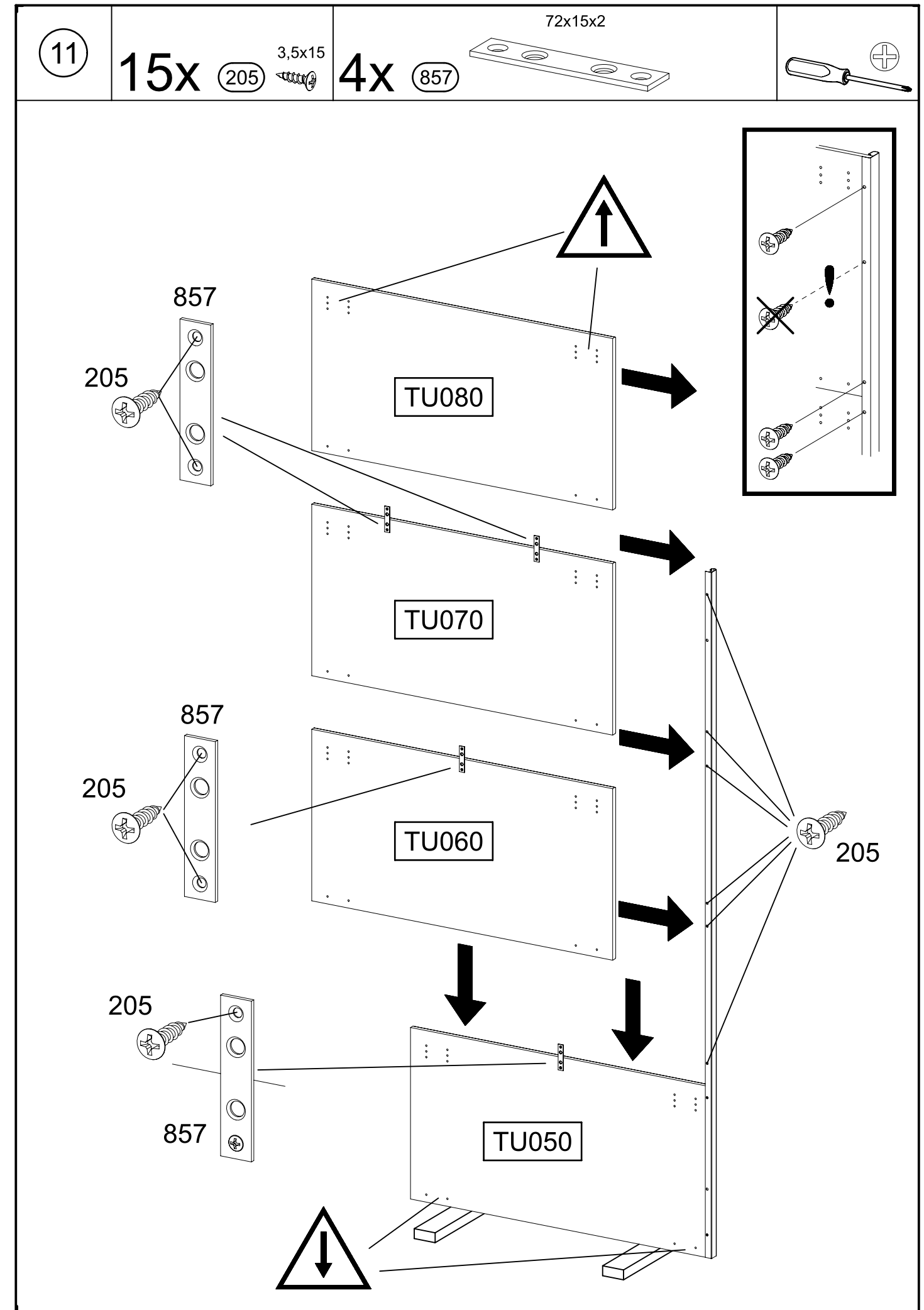
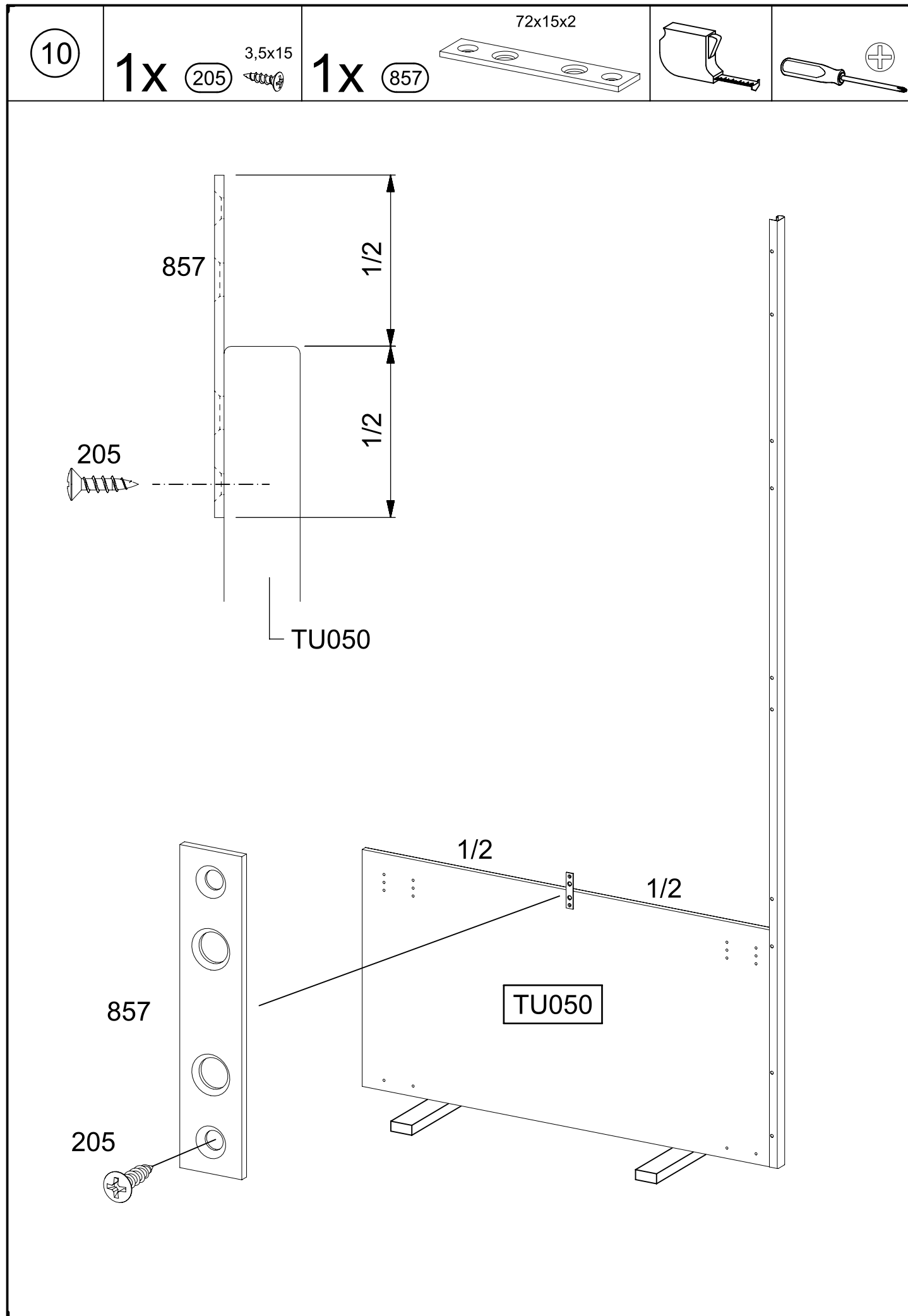


1.



2.



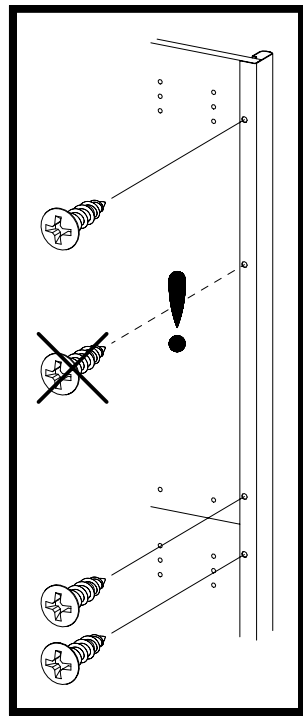
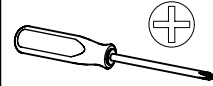


12

8x

205

3,5x15



GL010

205

2.

2.

205

1.

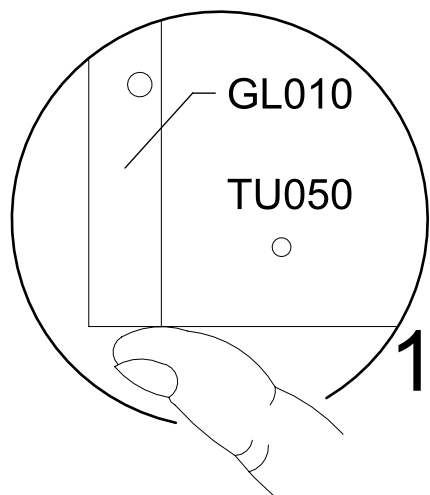


TU080

TU070

TU060

TU050



13

8x

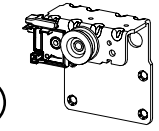
1173

6,3x14



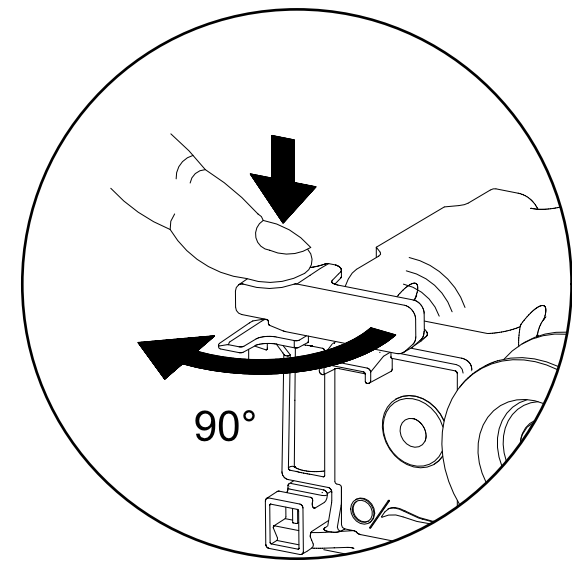
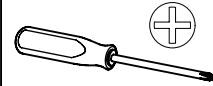
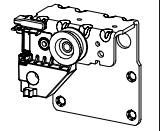
1x

1177

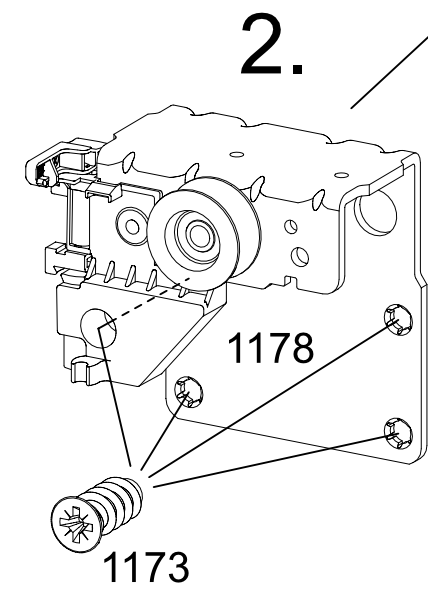
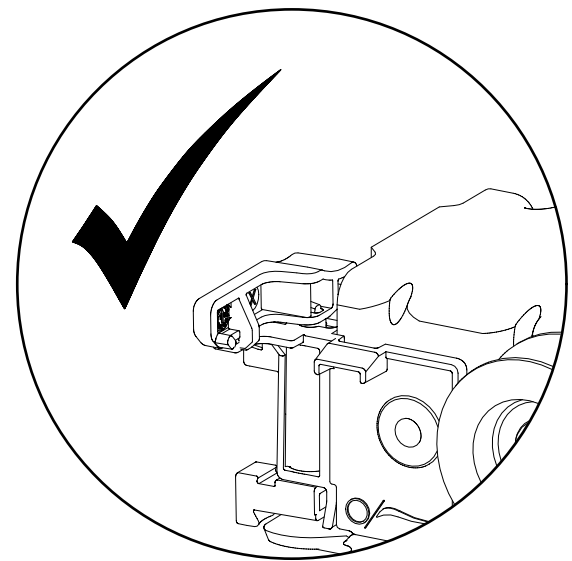


1x

1178



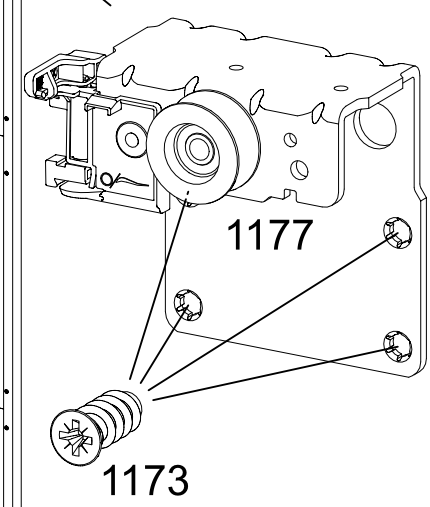
1.



2.

TU080

2.



1177

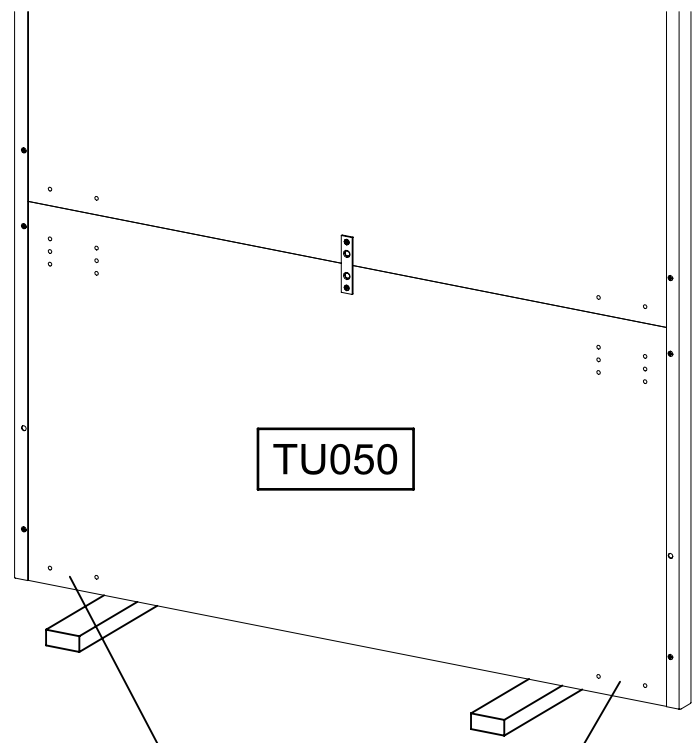
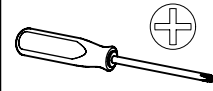
1173

14

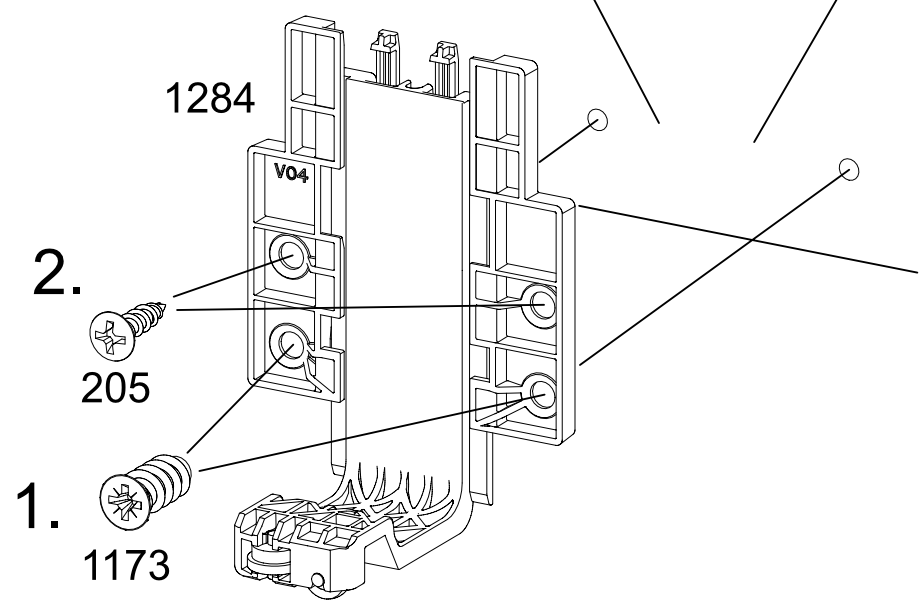
4x 205 3,5x15

4x 1173 6,3x14

2x 1284



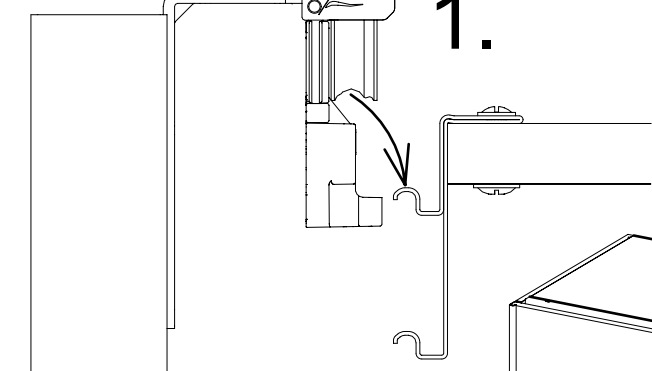
TU050



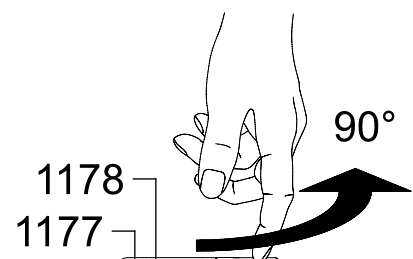
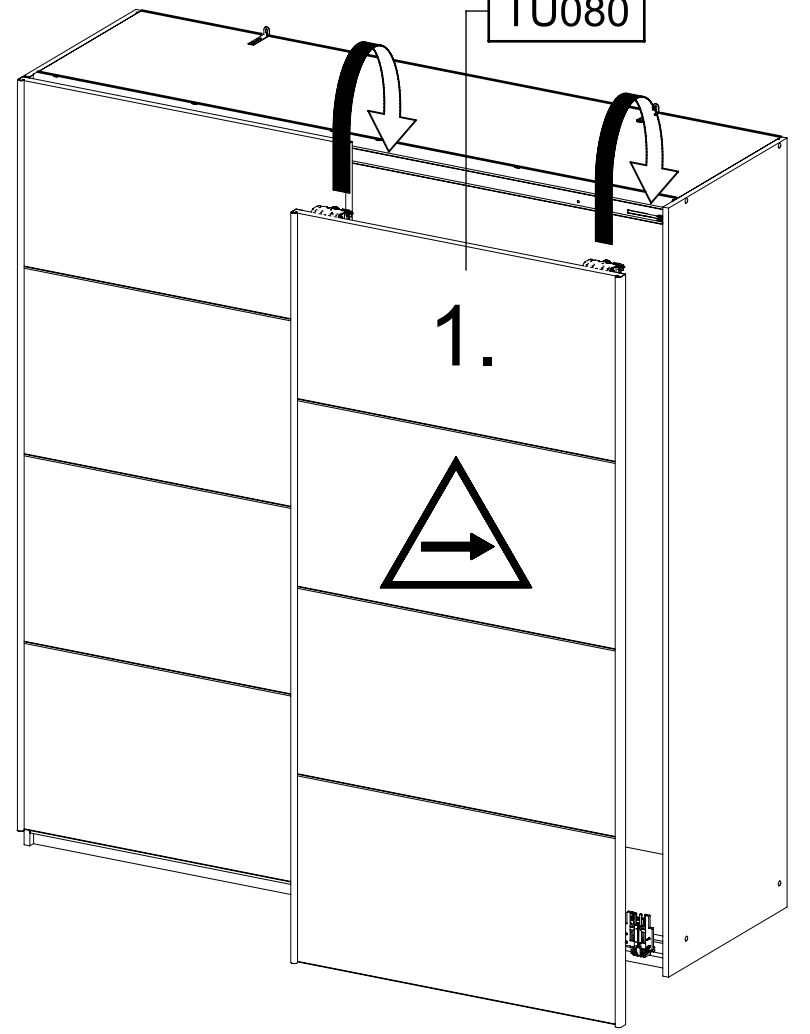
15

1177 1178

1.

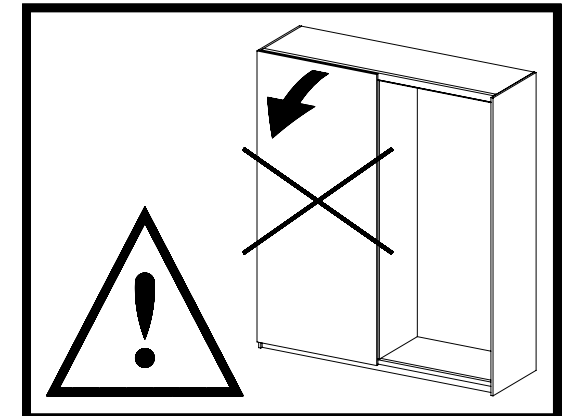
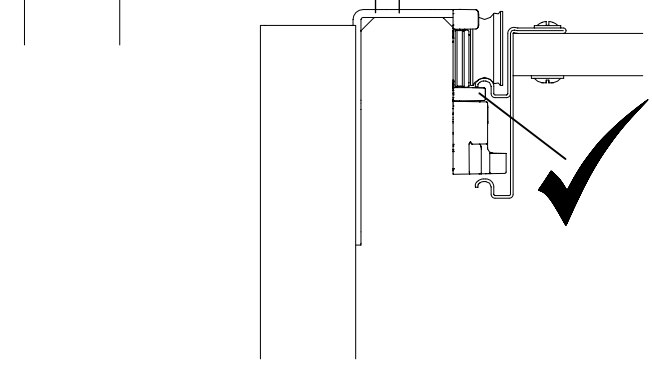


TU080

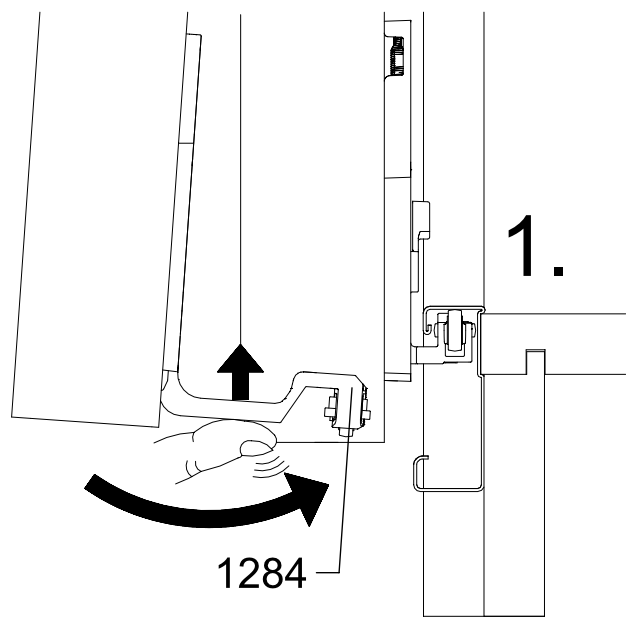
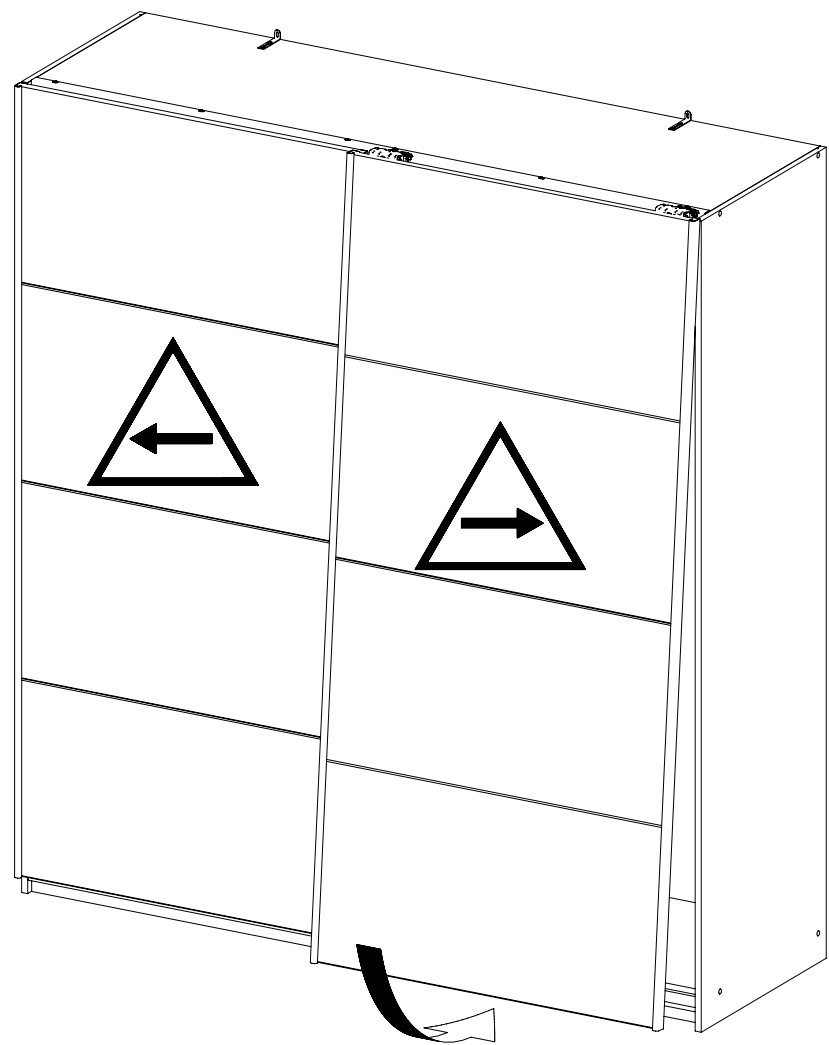


2.

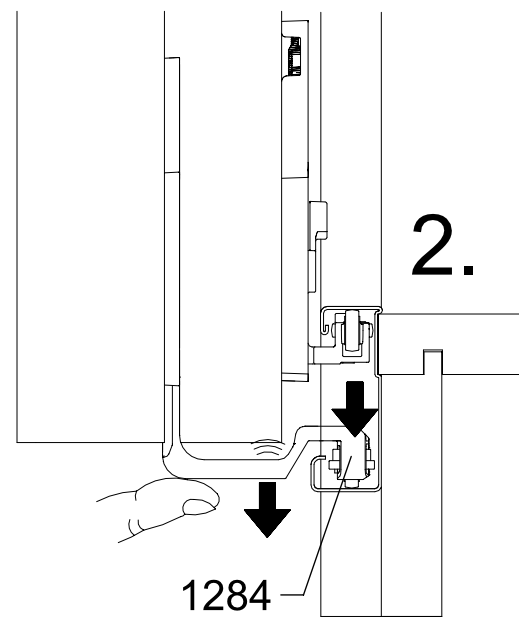
1177 1178



16



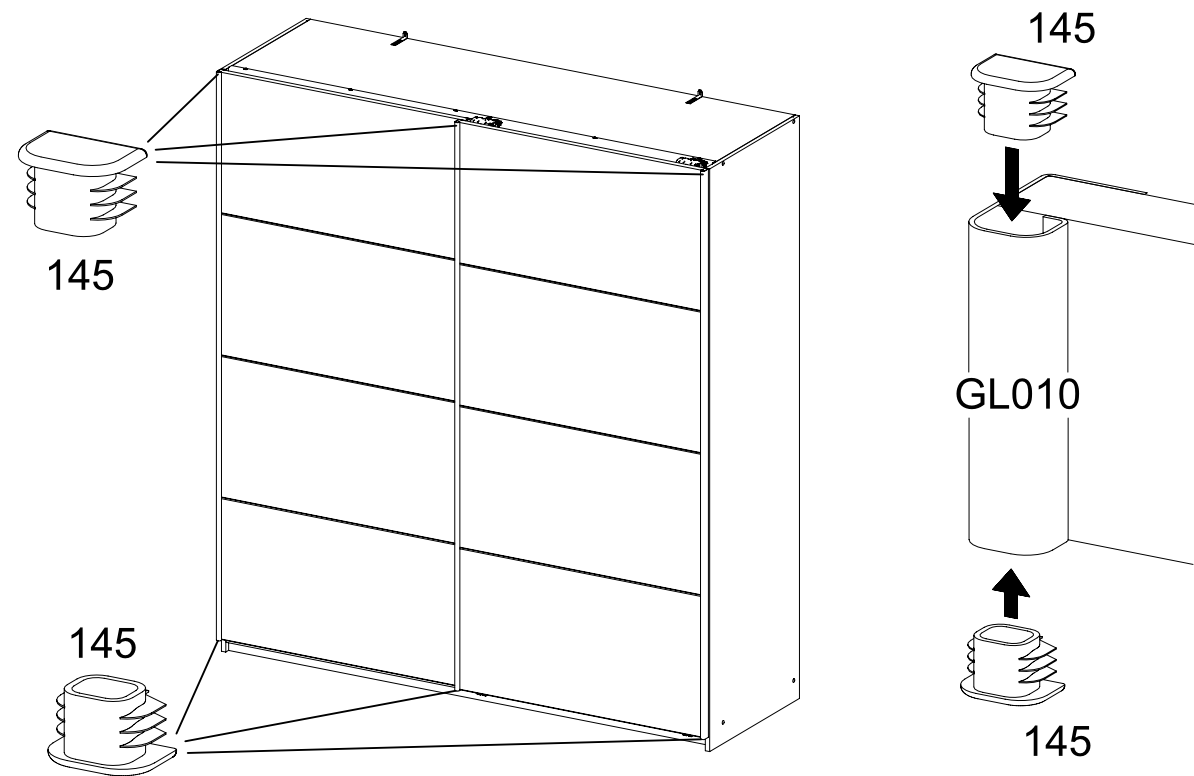
1.

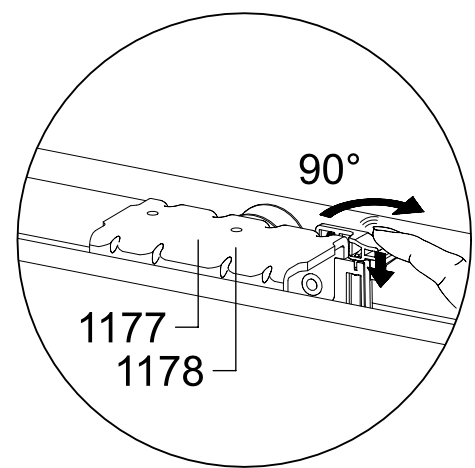


2.

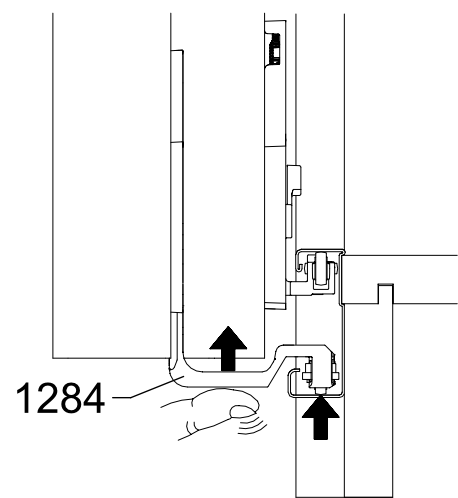
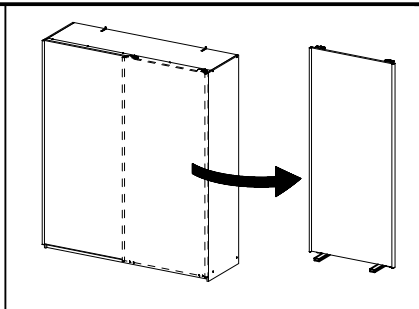
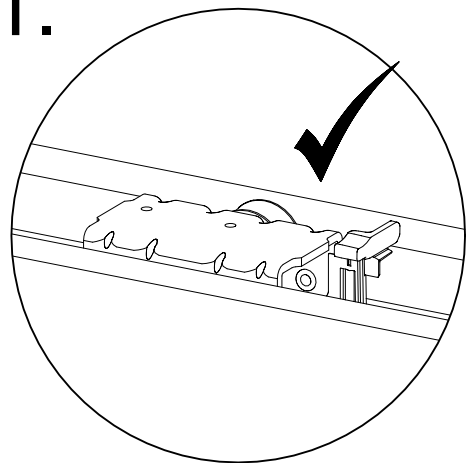
17

6x 144 

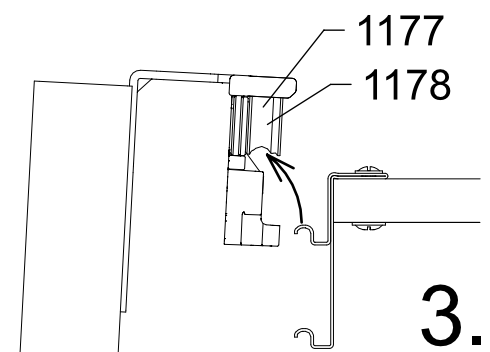
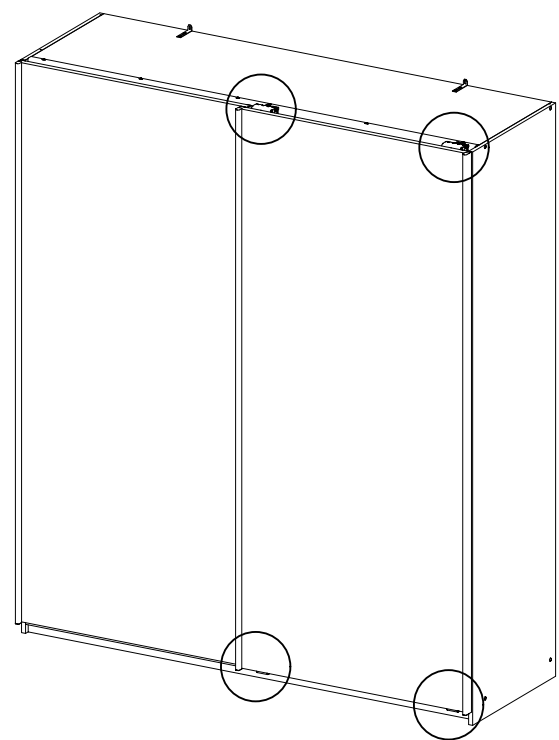
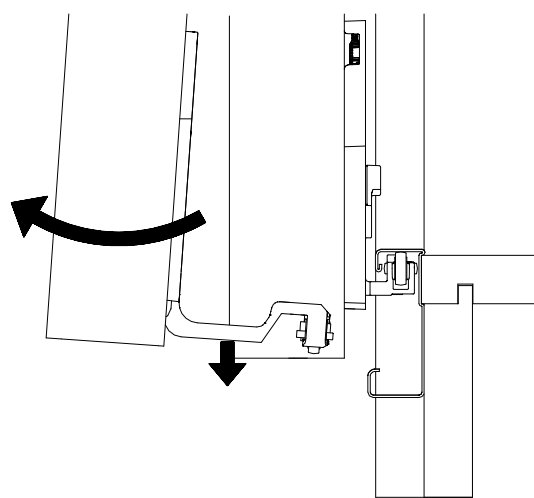




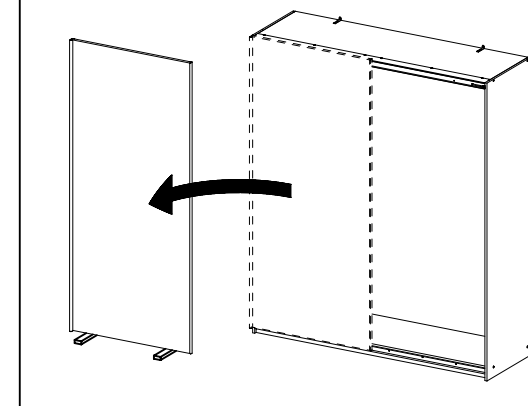
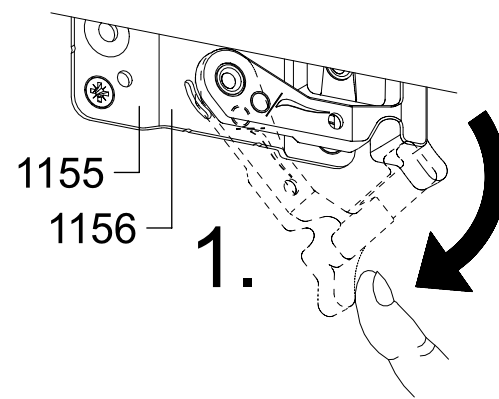
1.



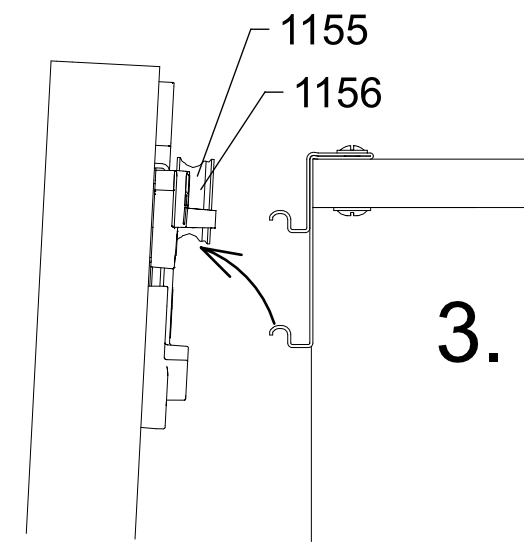
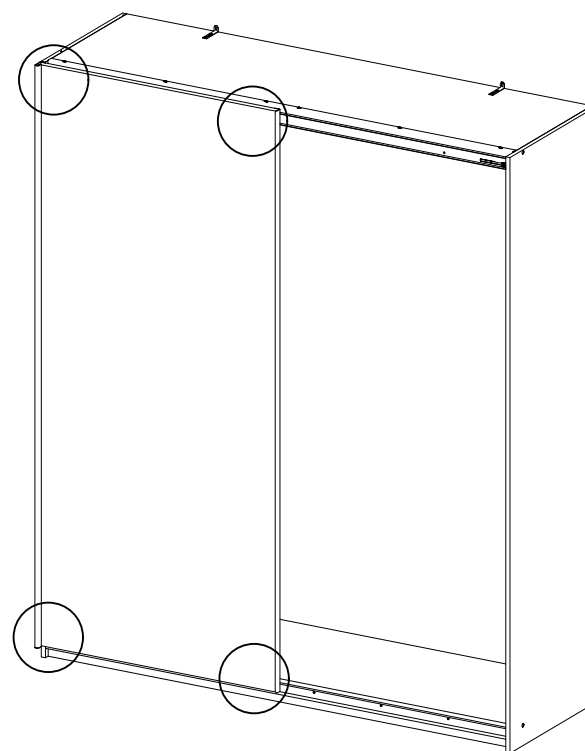
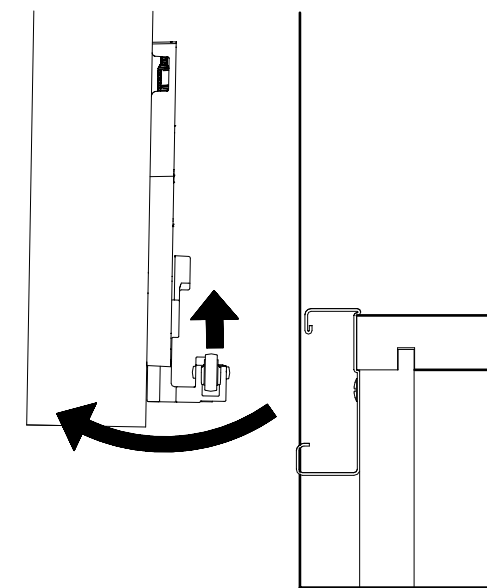
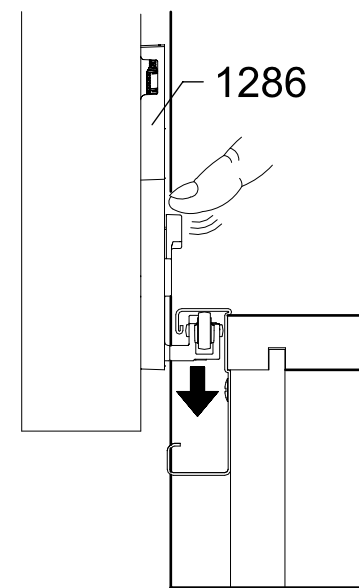
2.



3.



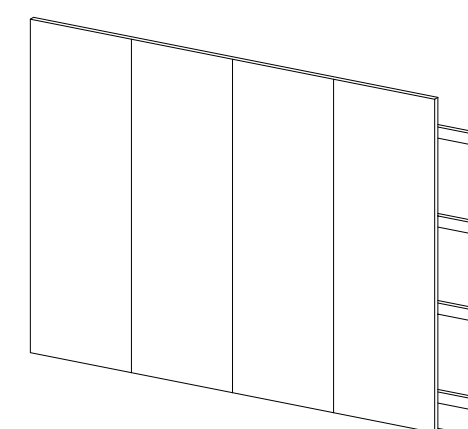
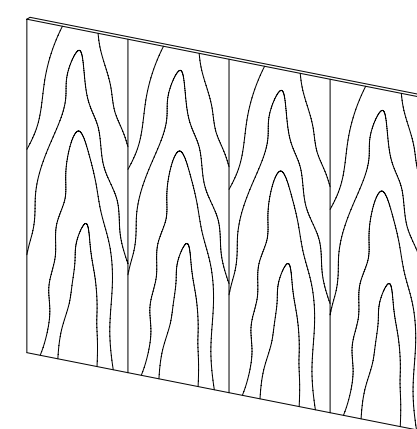
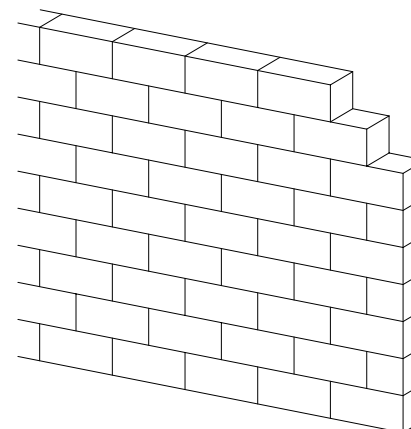
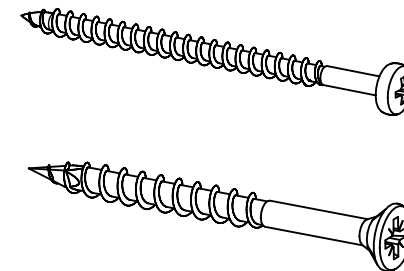
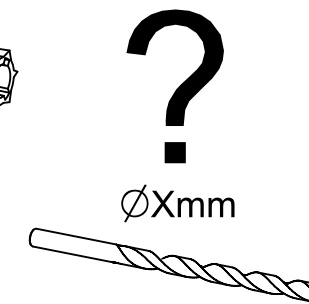
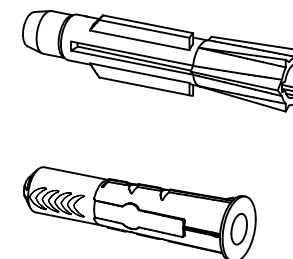
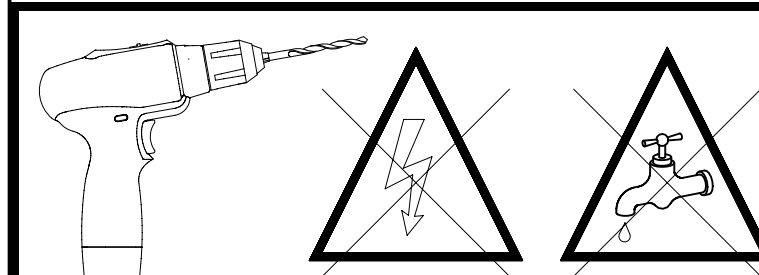
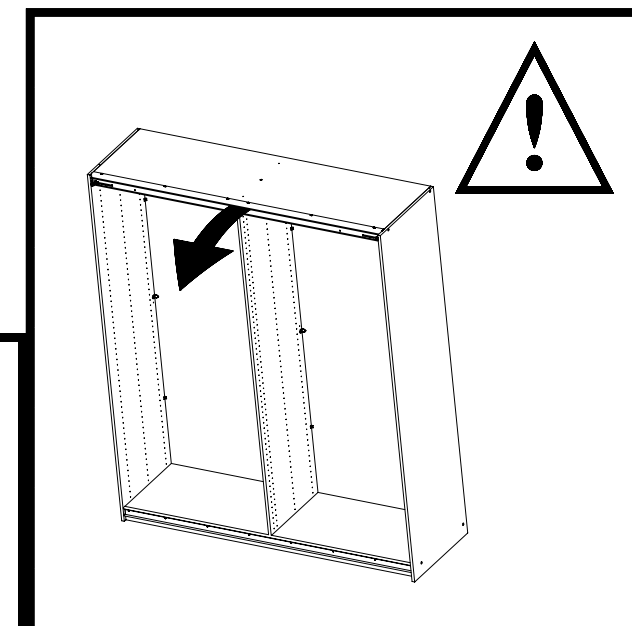
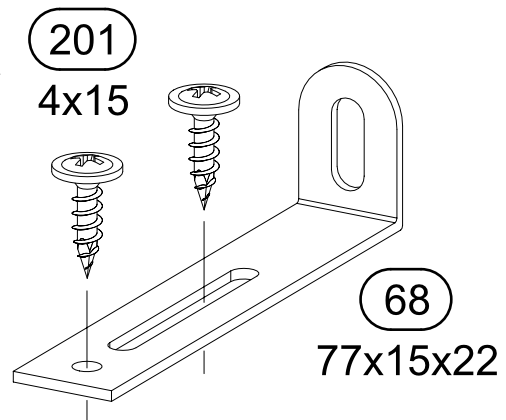
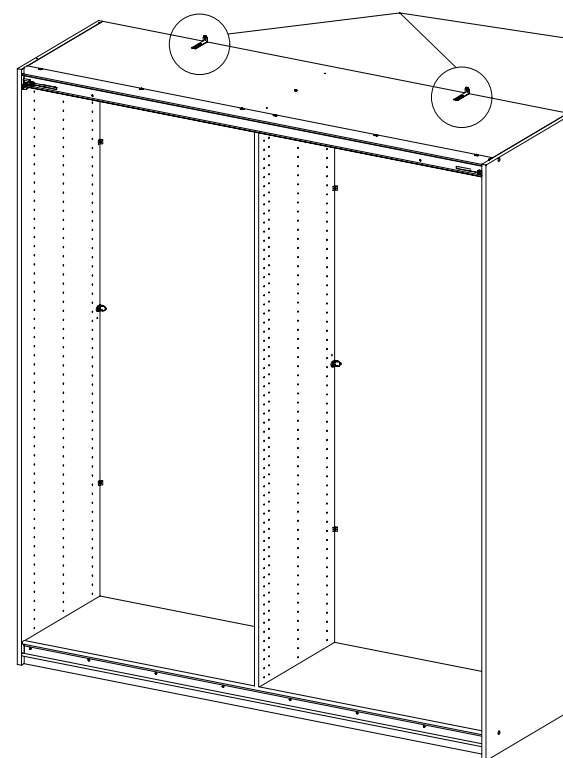
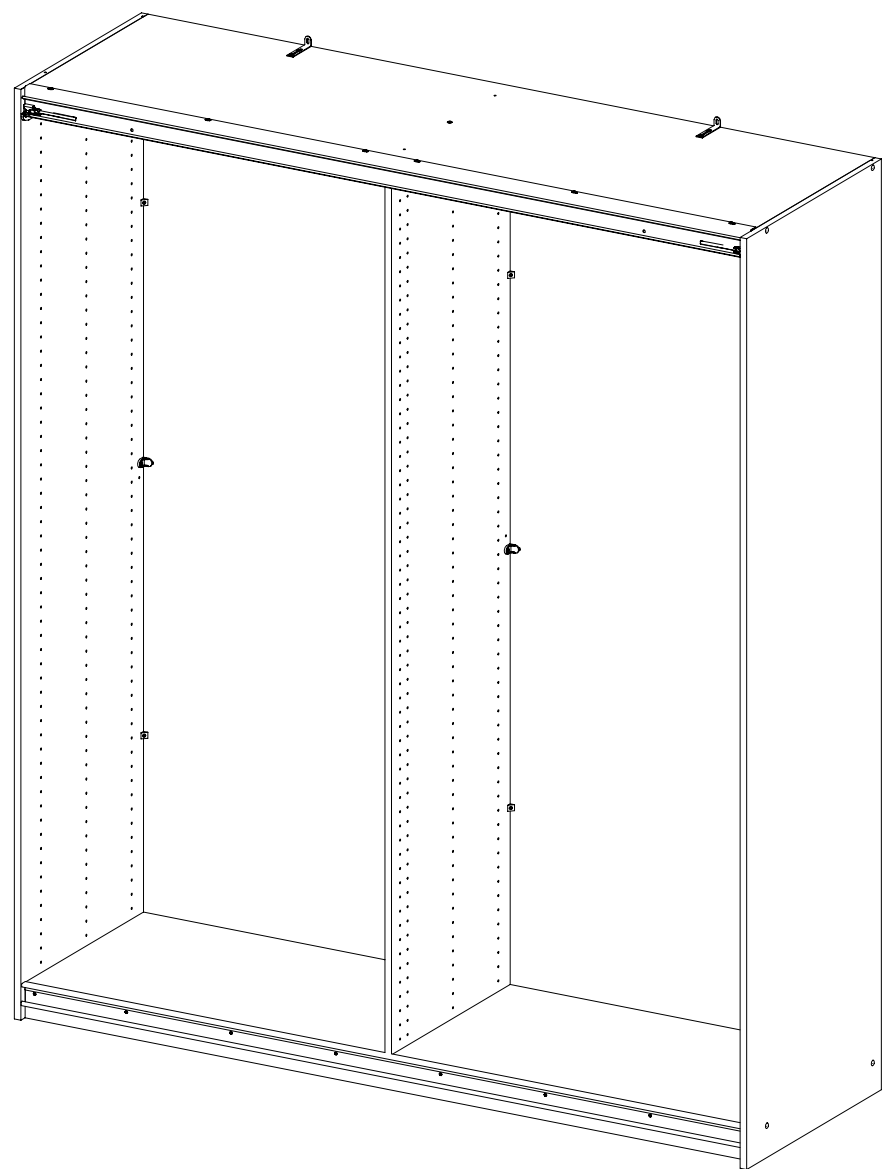
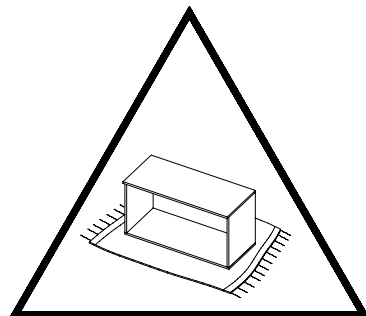
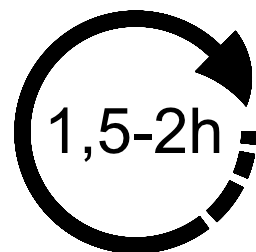
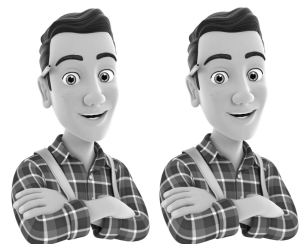
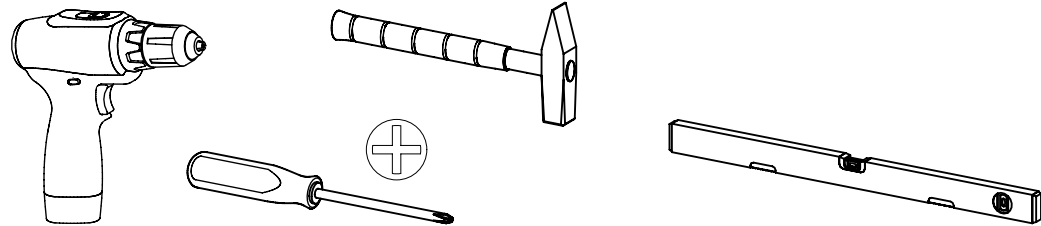
2.

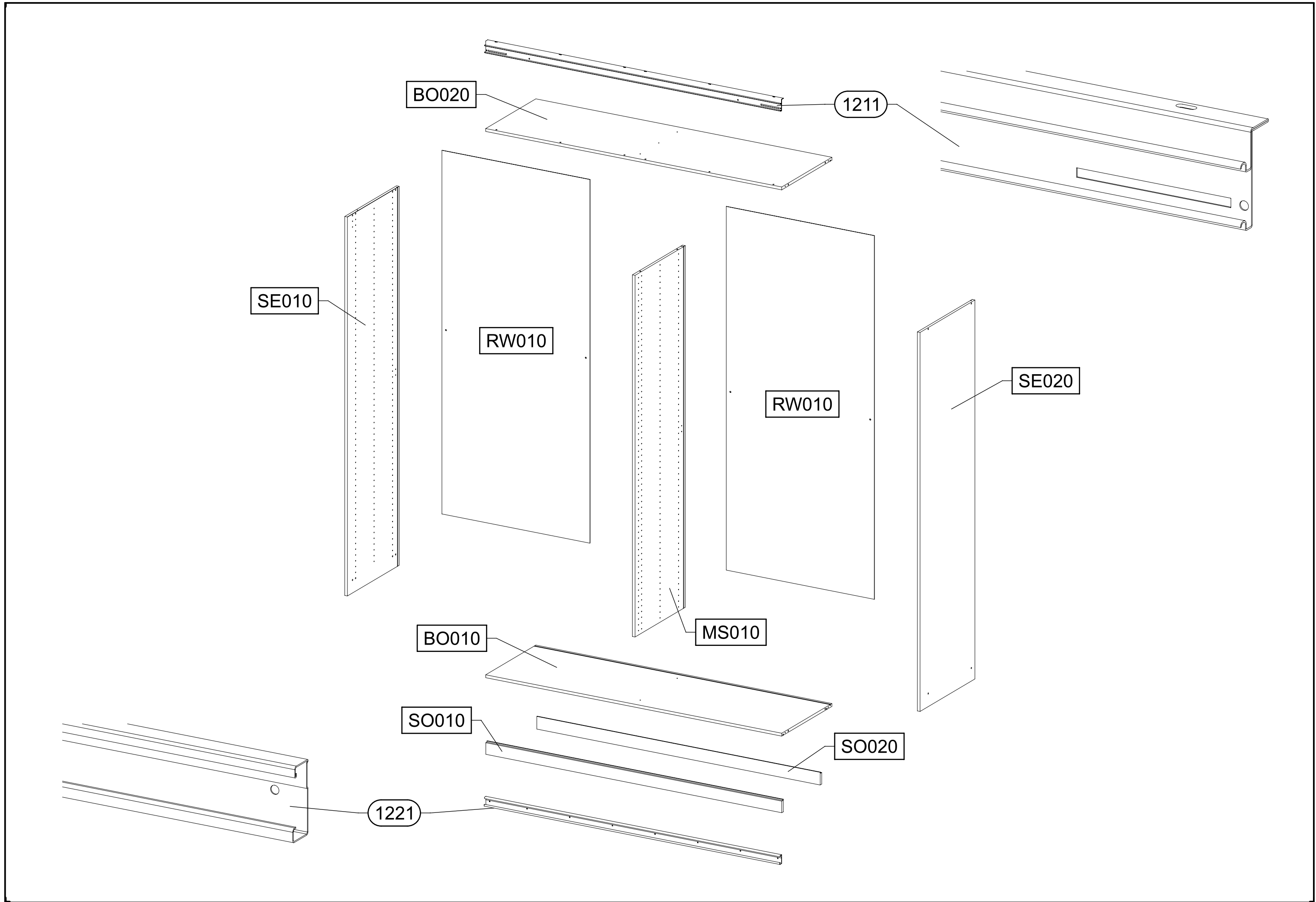


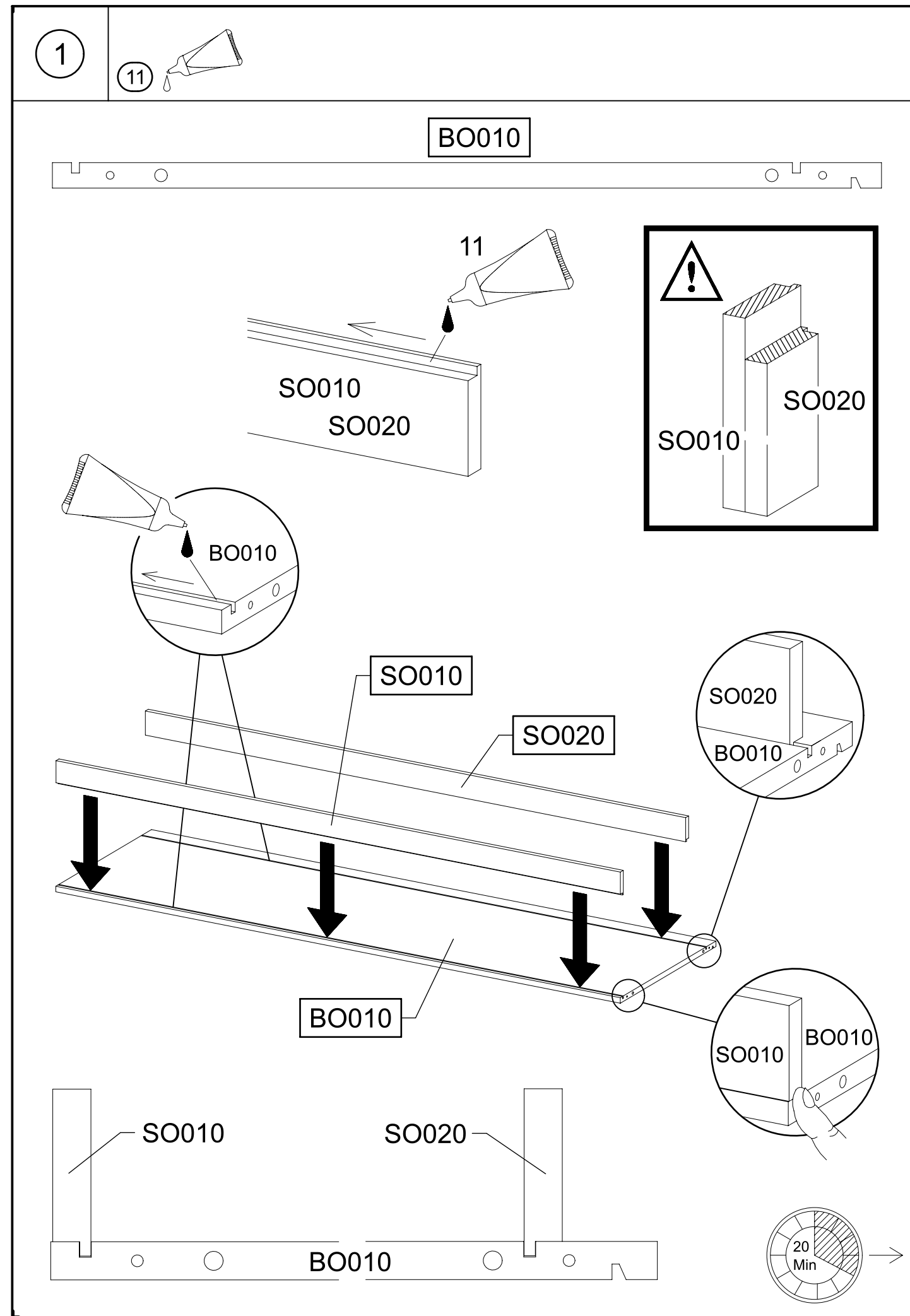
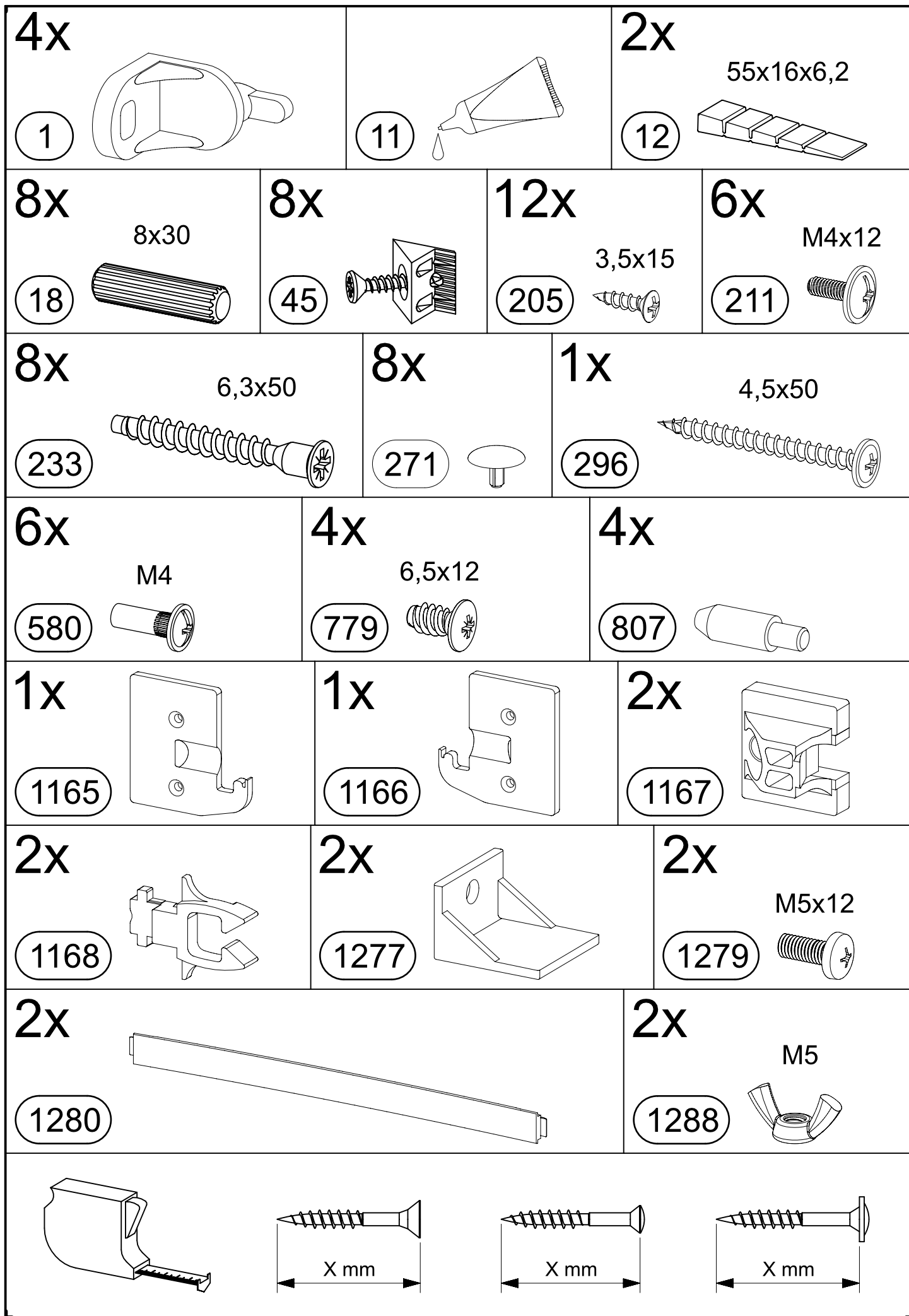
3.

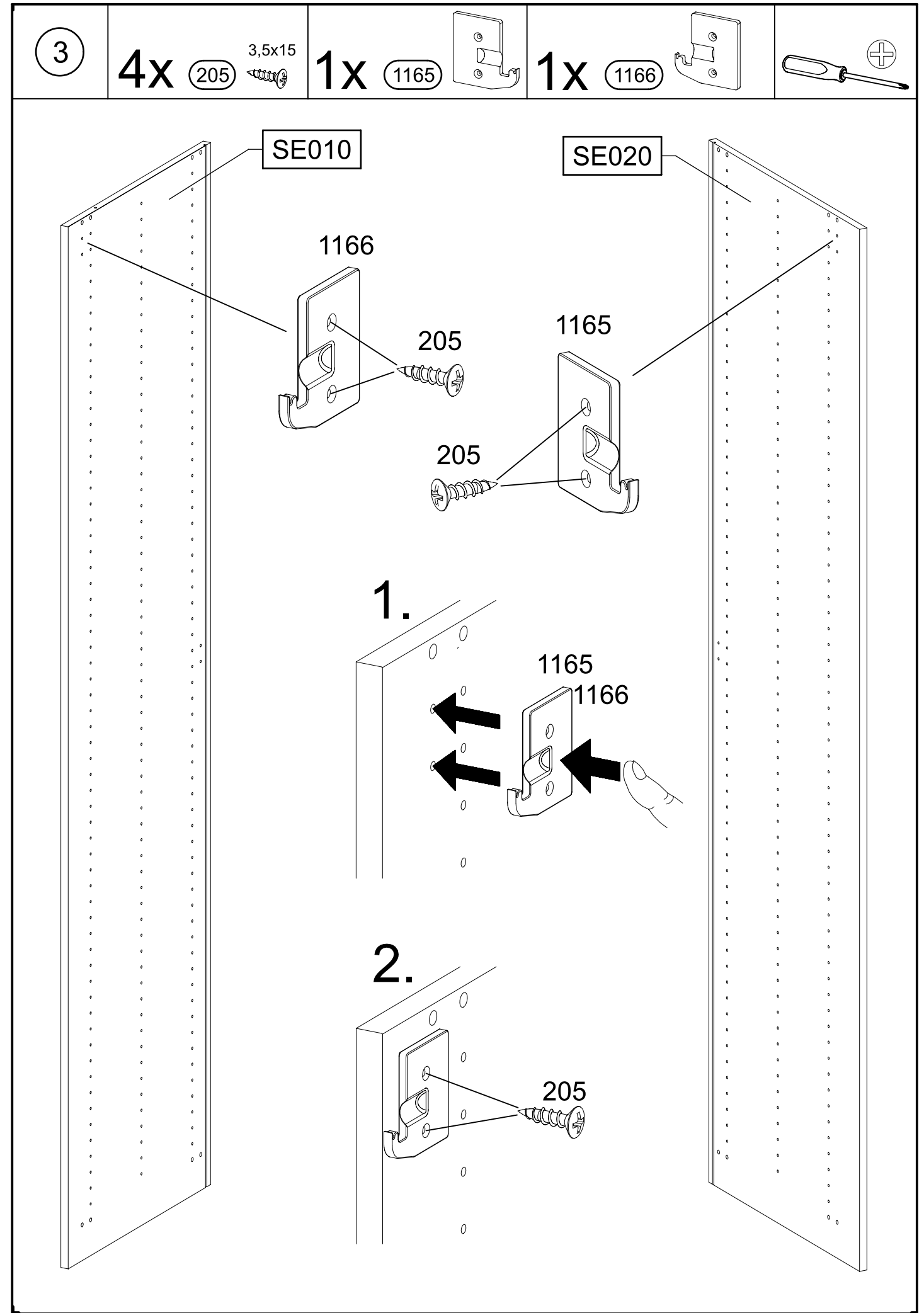
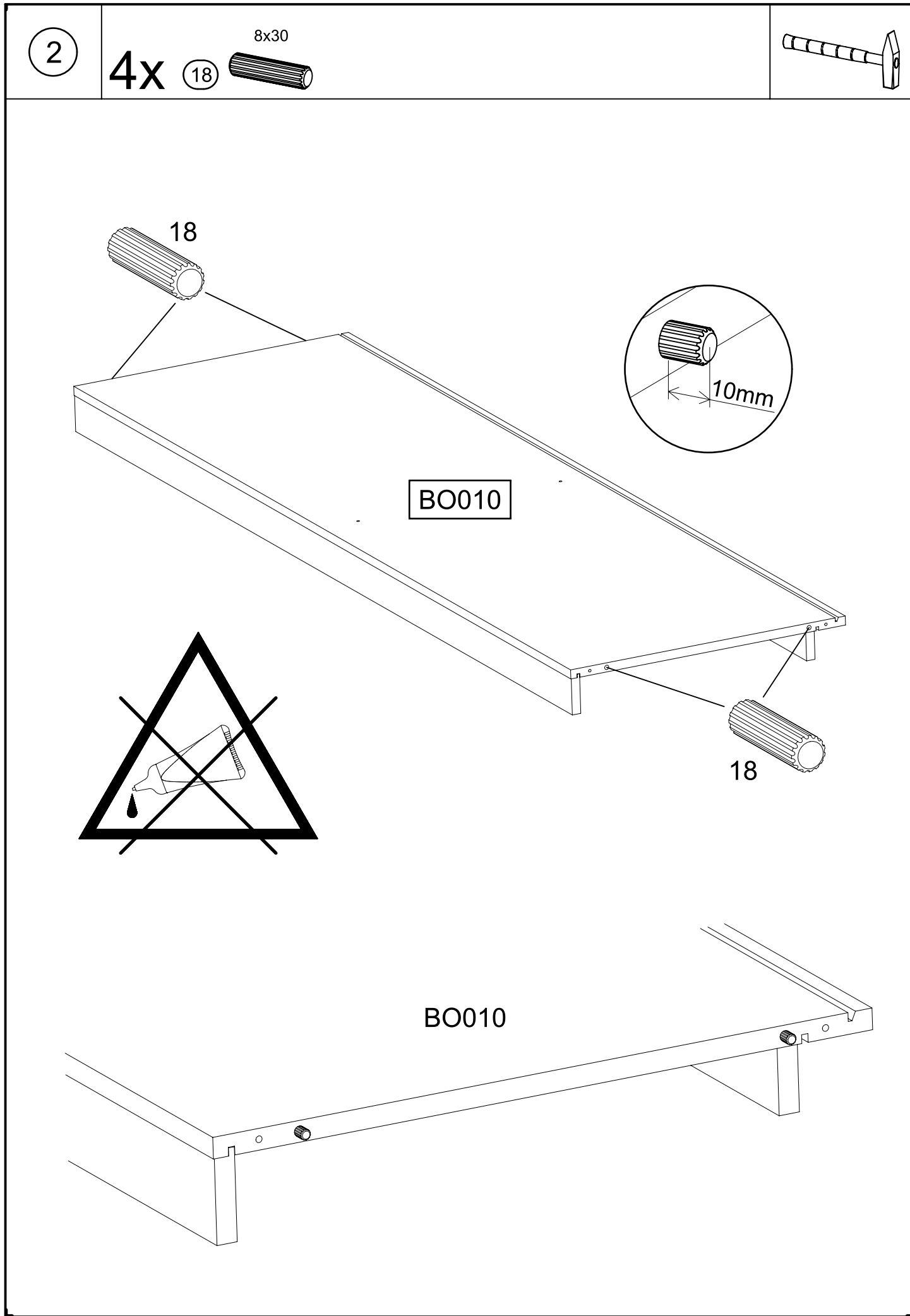
M2574_04

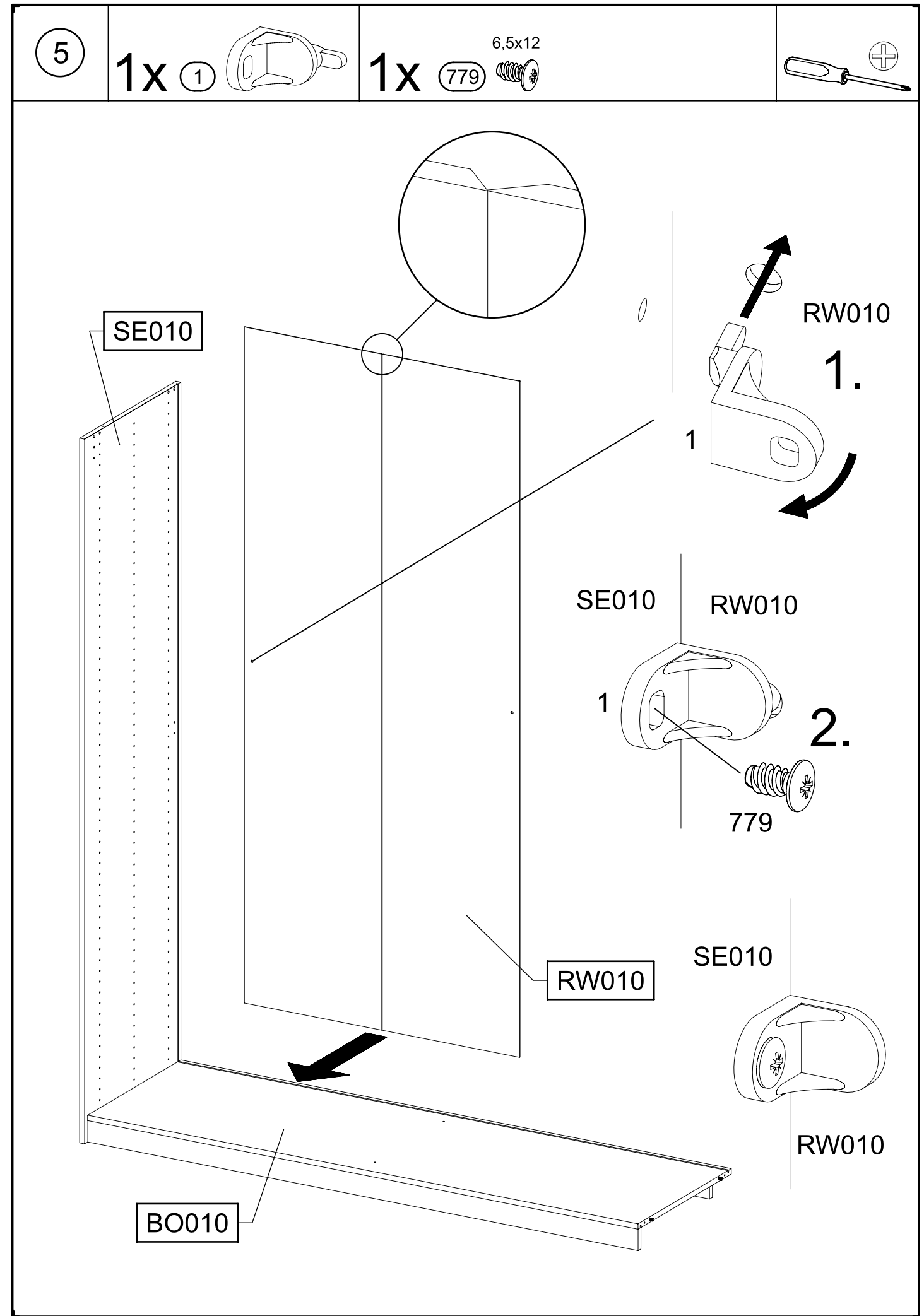
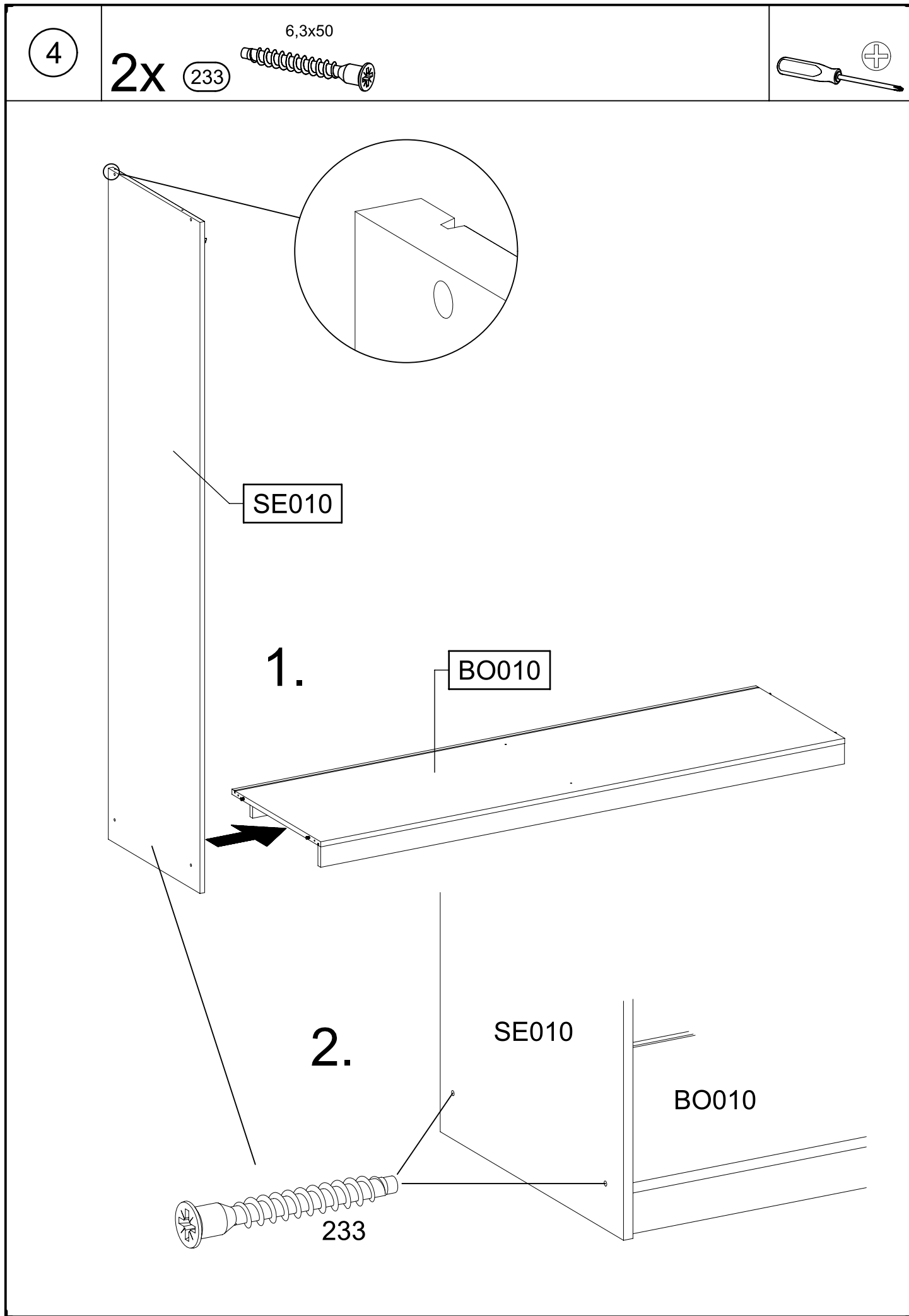
rauch





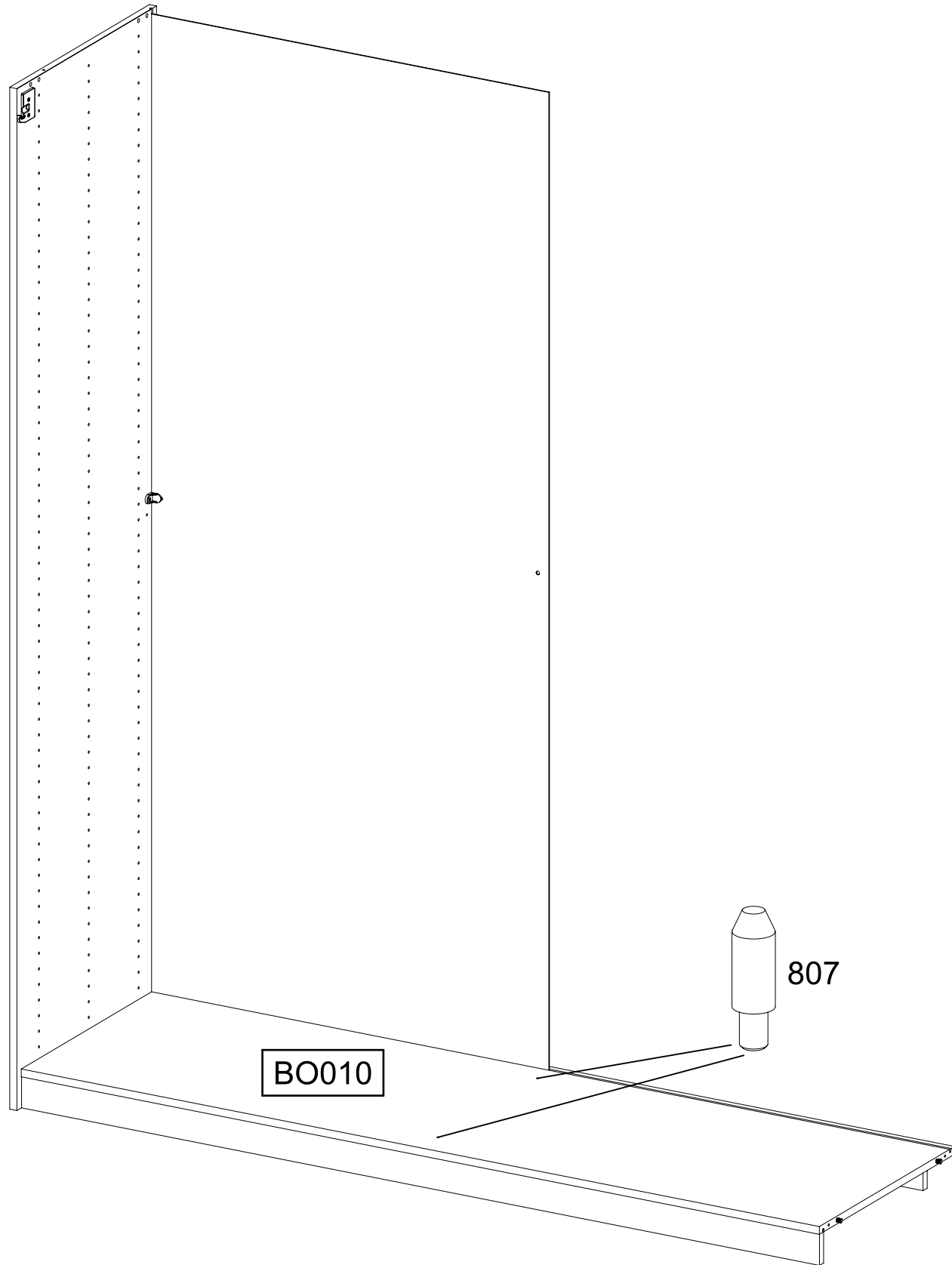
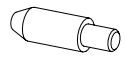






6

2x 807



BO010

807

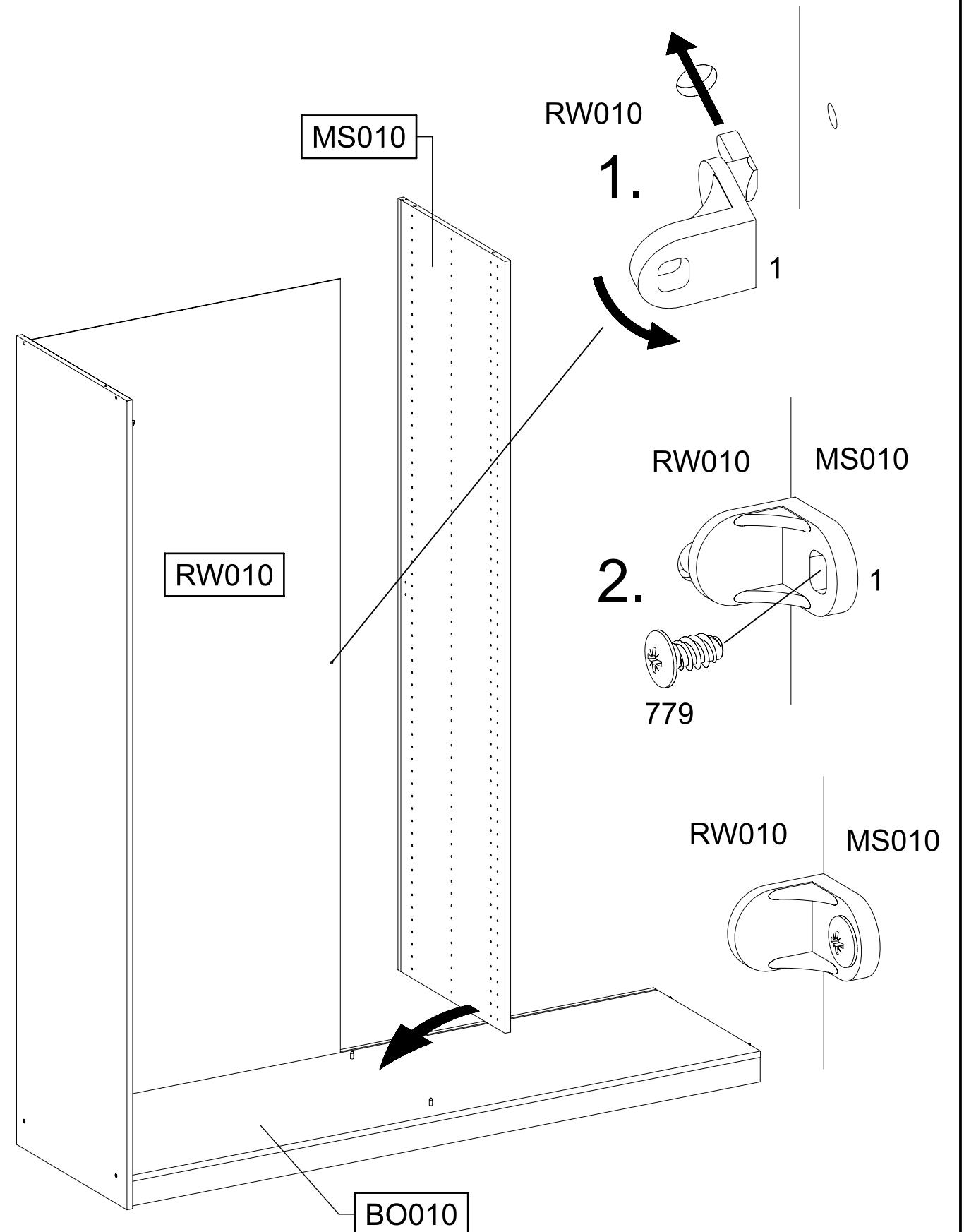
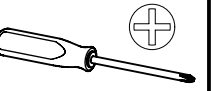
7

1x 1



1x 779

6,5x12



MS010

RW010

1.

1

RW010

RW010

MS010

2.

1

779

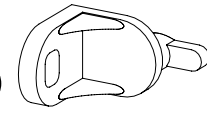
RW010

MS010

BO010

8

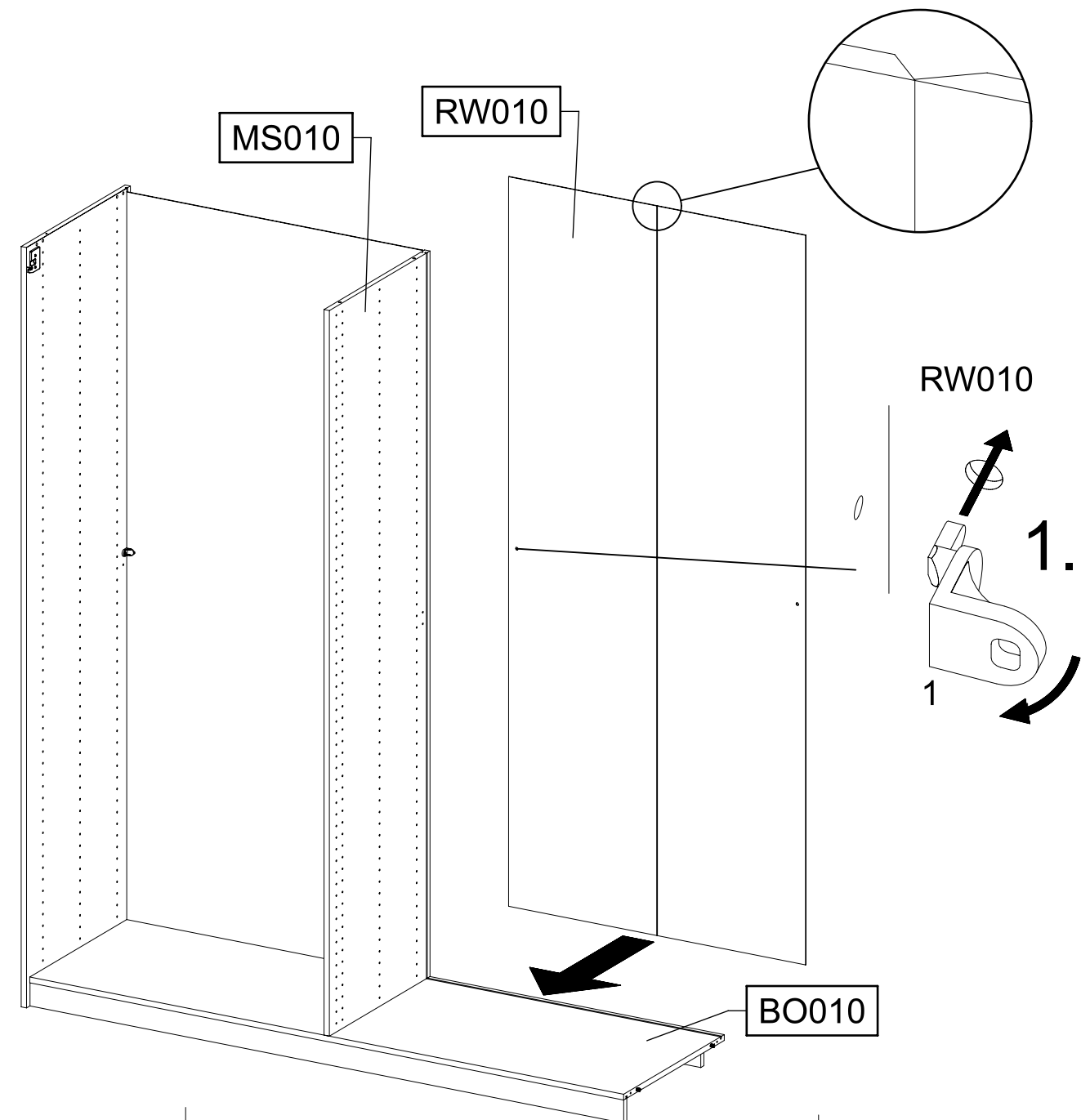
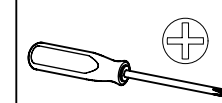
1x 1



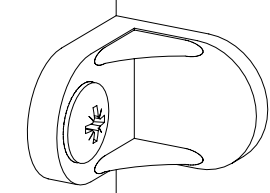
1x

779

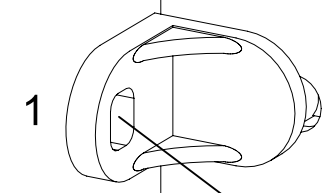
6,5x12



MS010 RW010



MS010 RW010



779

2.

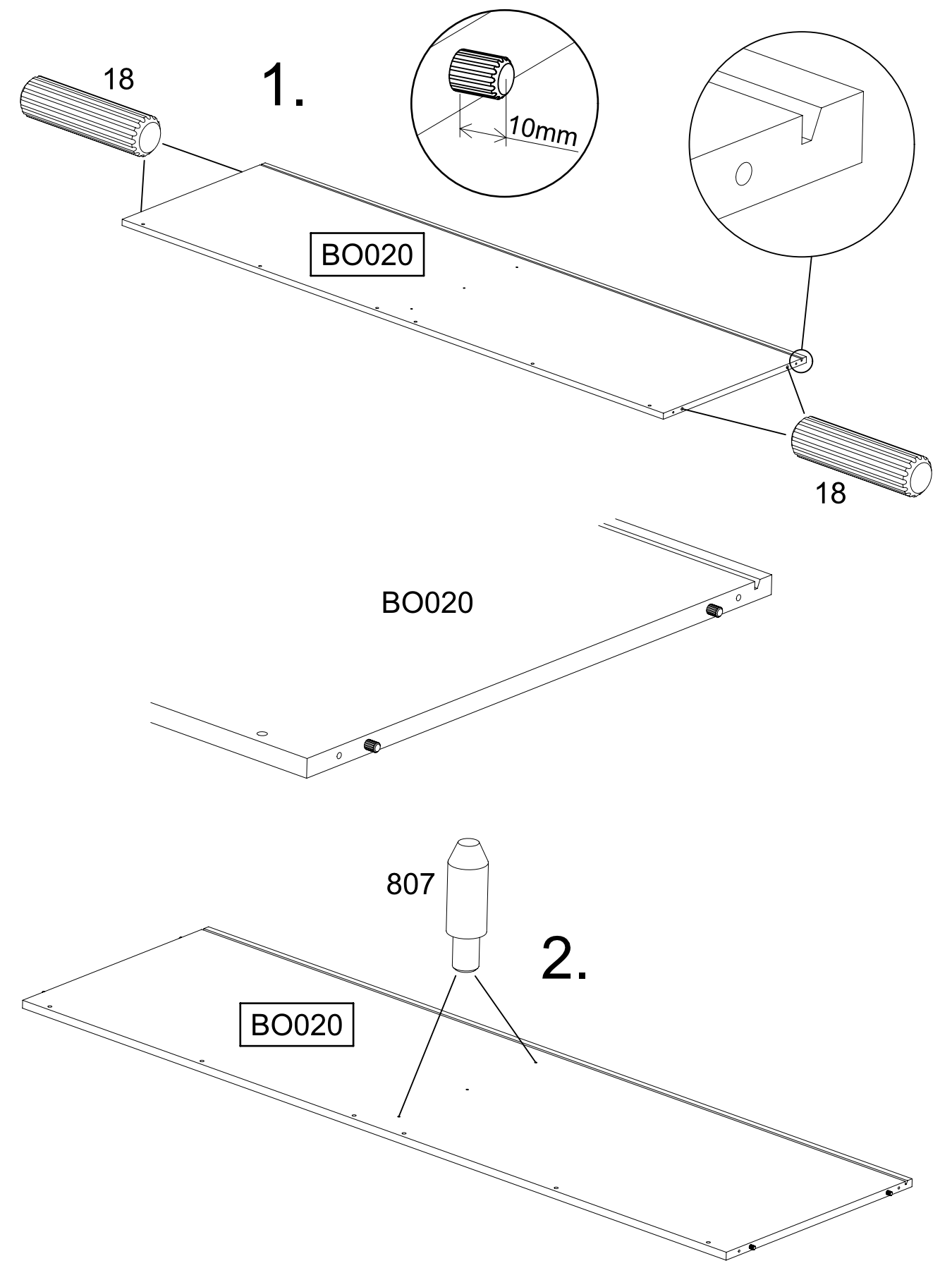
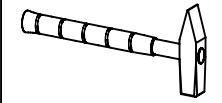
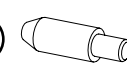
9

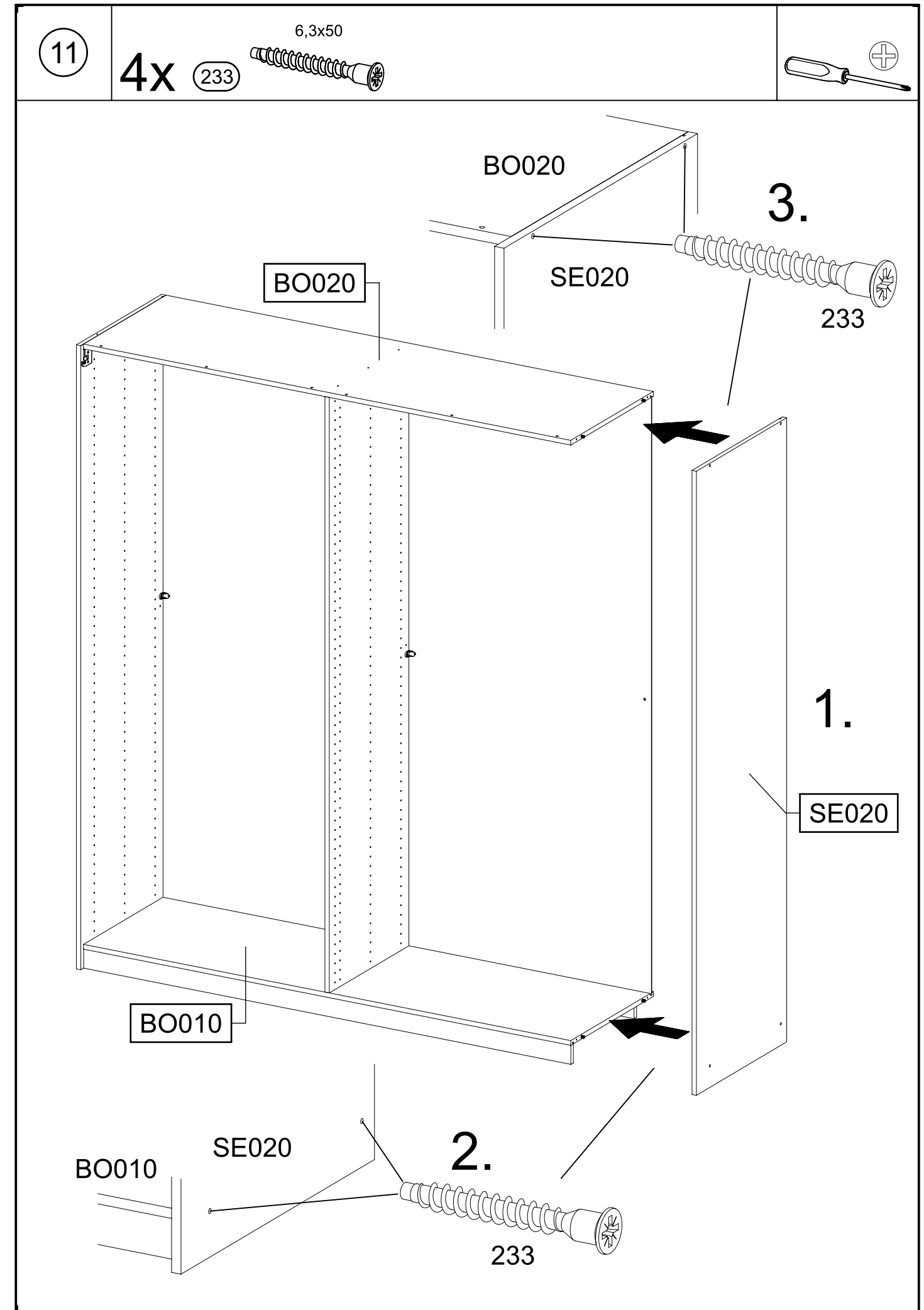
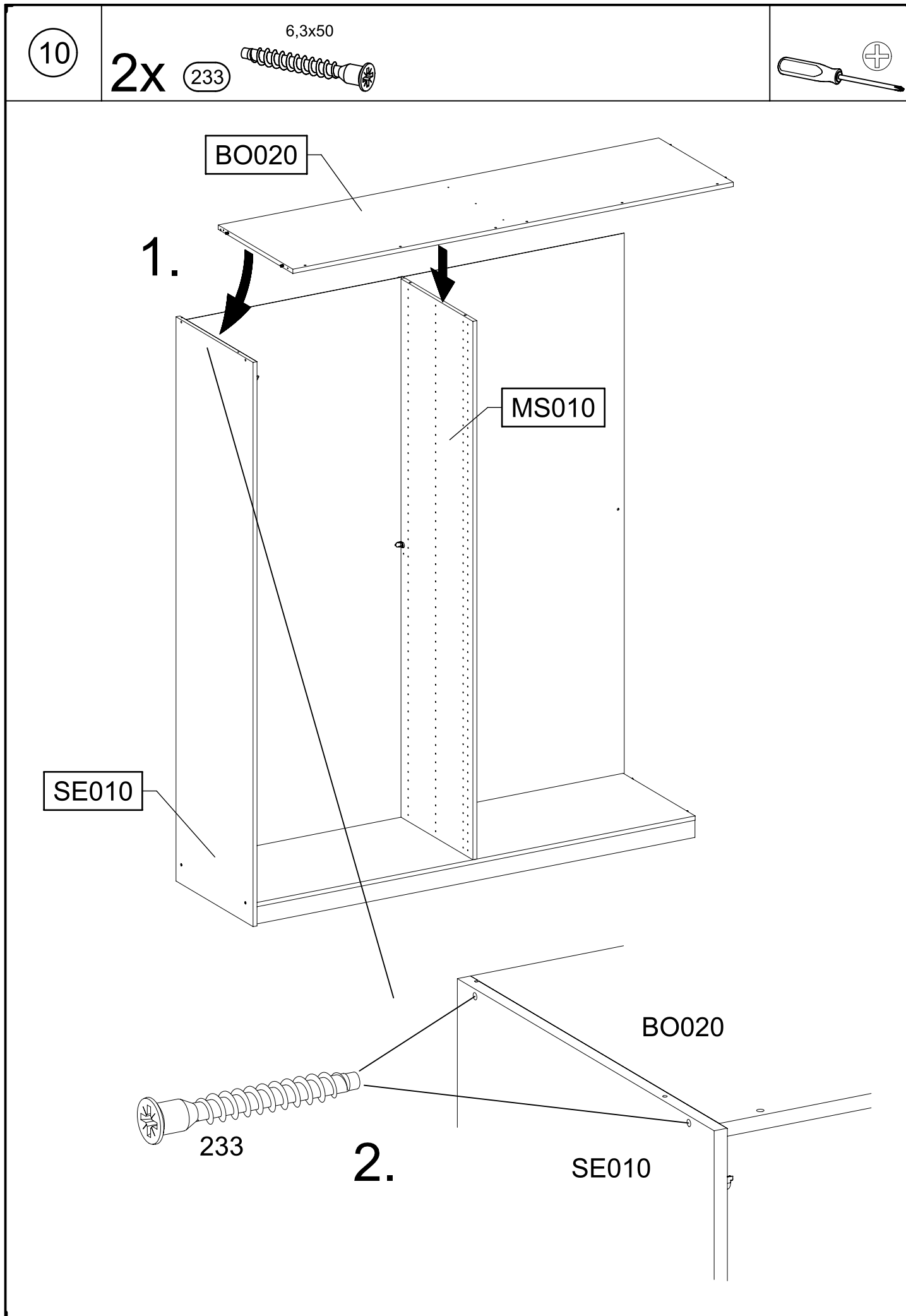
4x 18

8x30



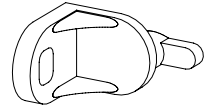
2x 807





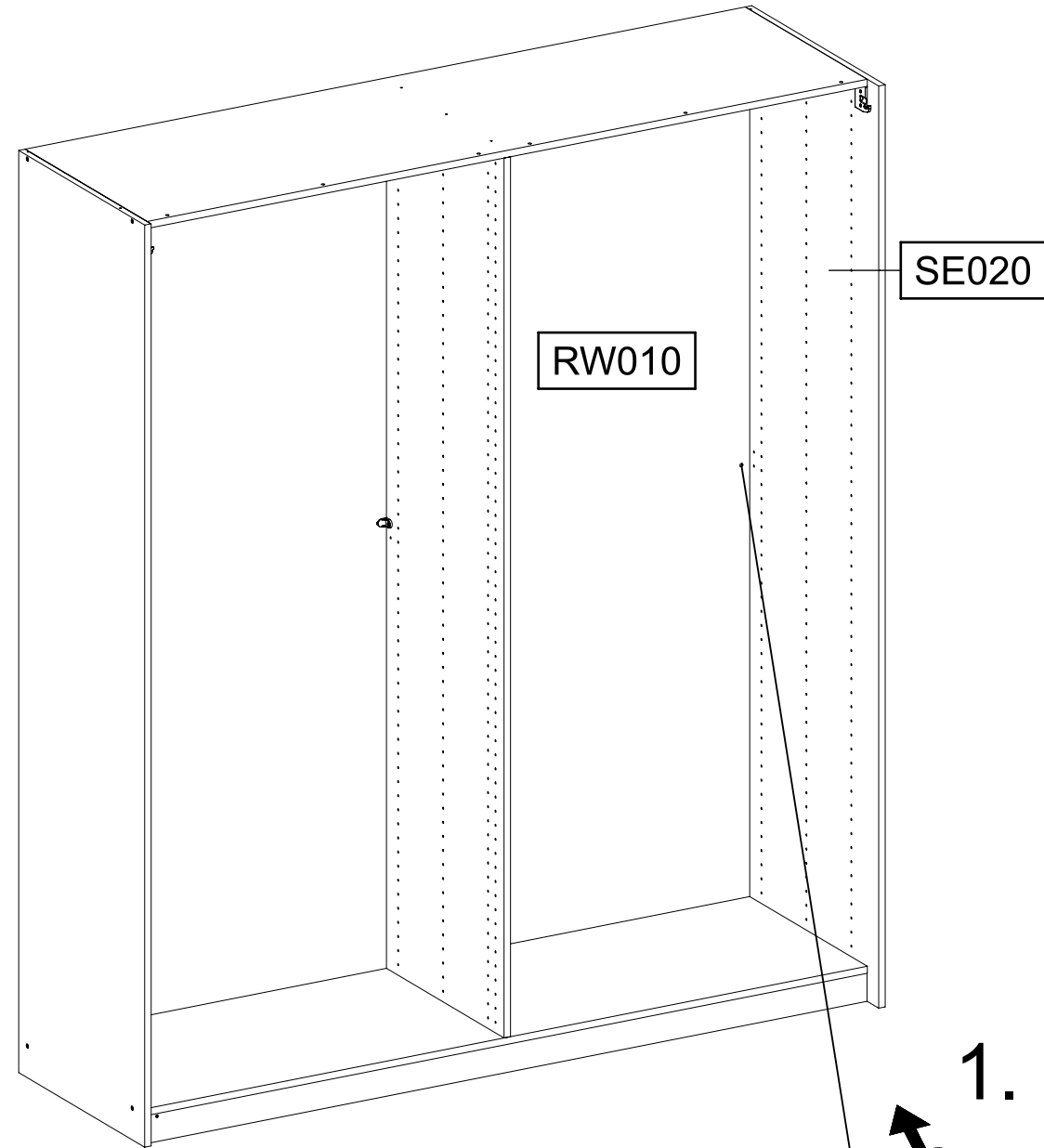
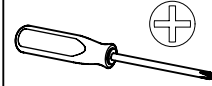
12

1x 1

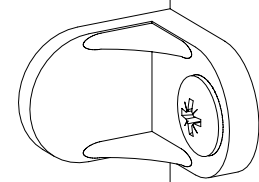


1x 779

6,5x12



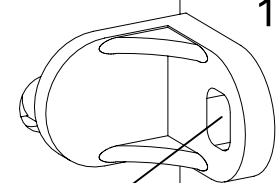
RW010



SE020

2.

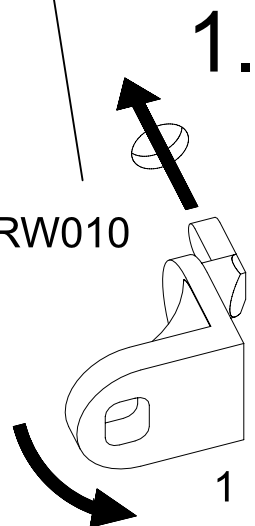
RW010



779

SE020

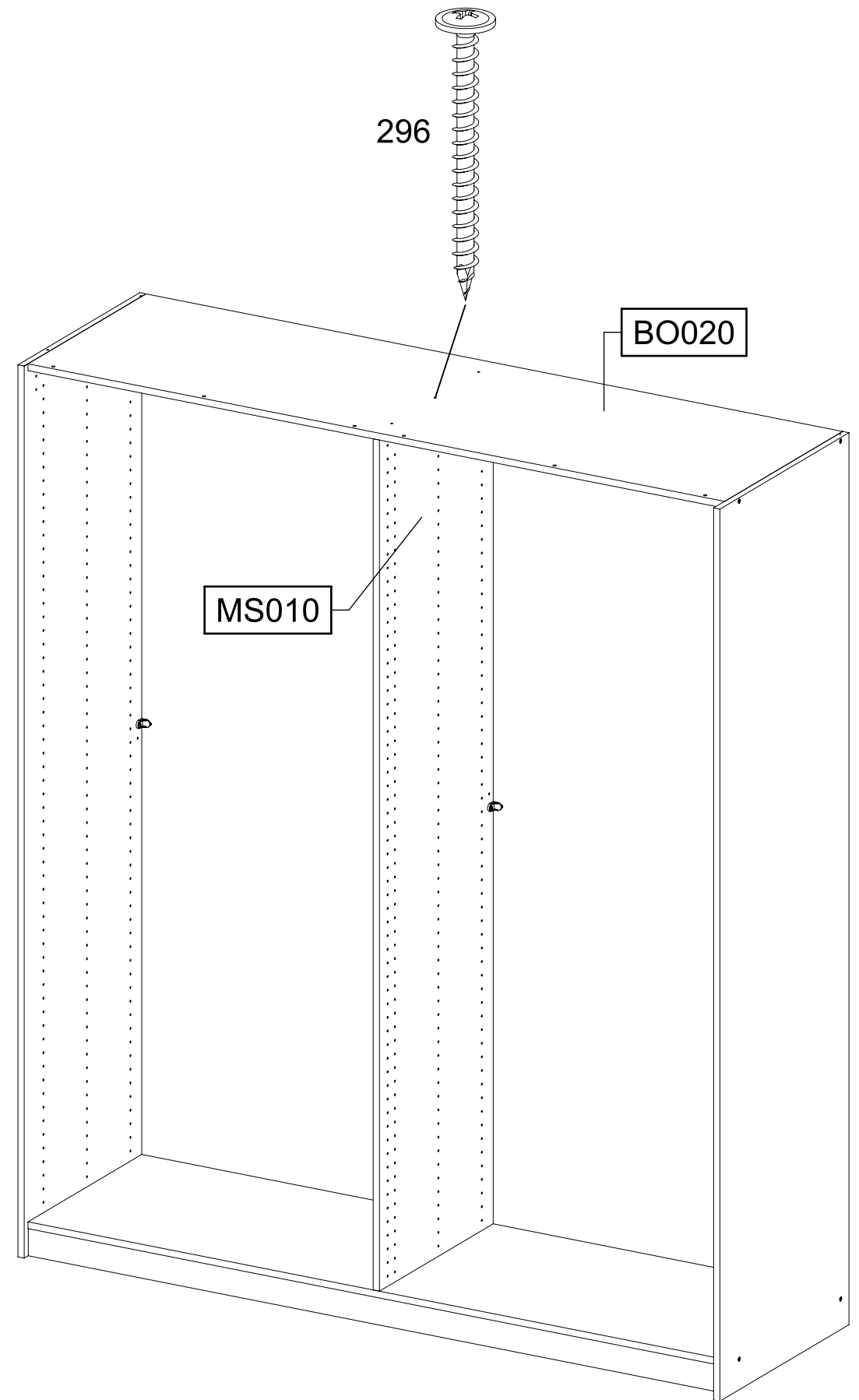
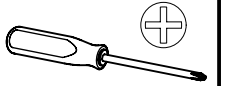
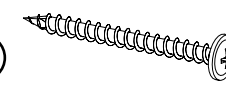
RW010



13

1x 296

4,5x50



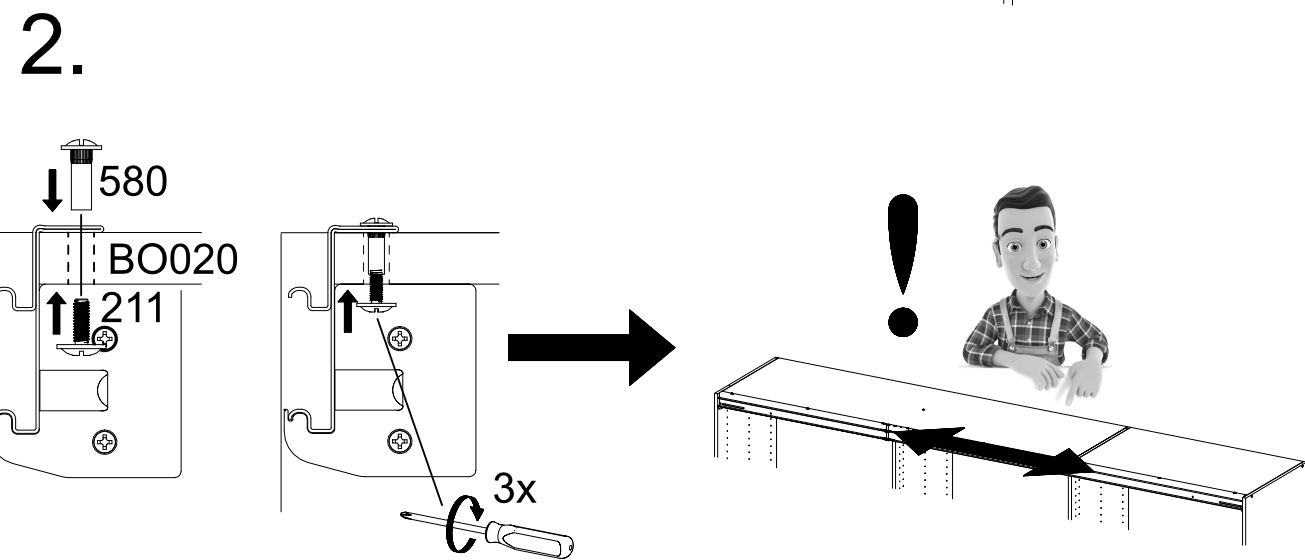
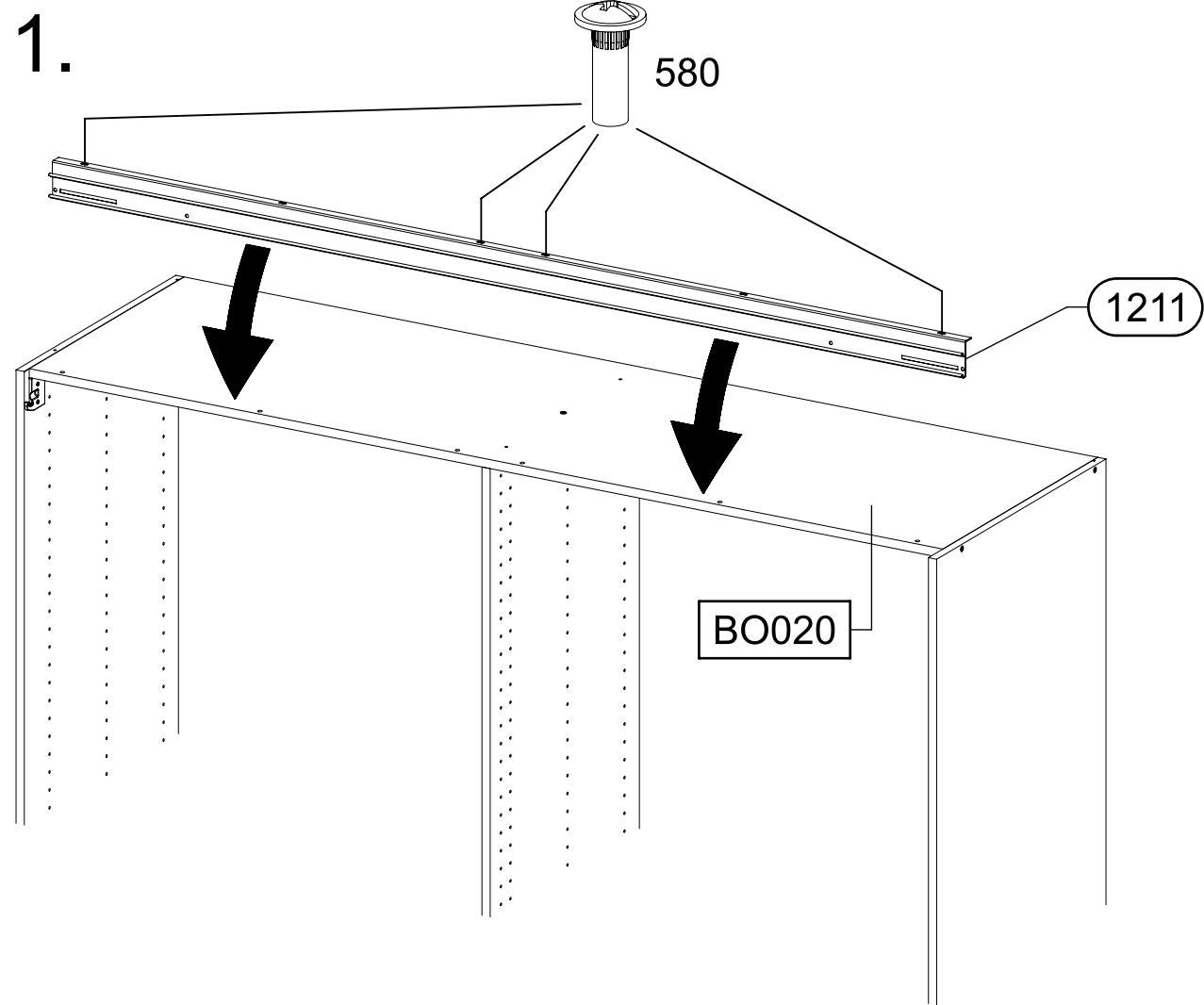
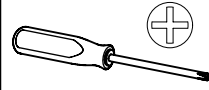
296

BO020

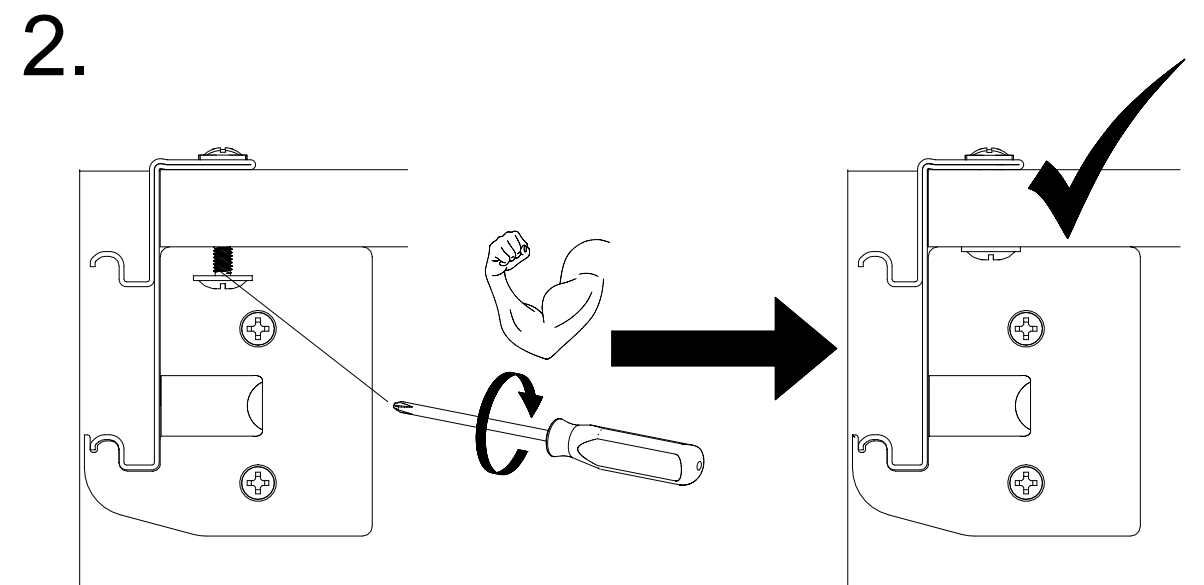
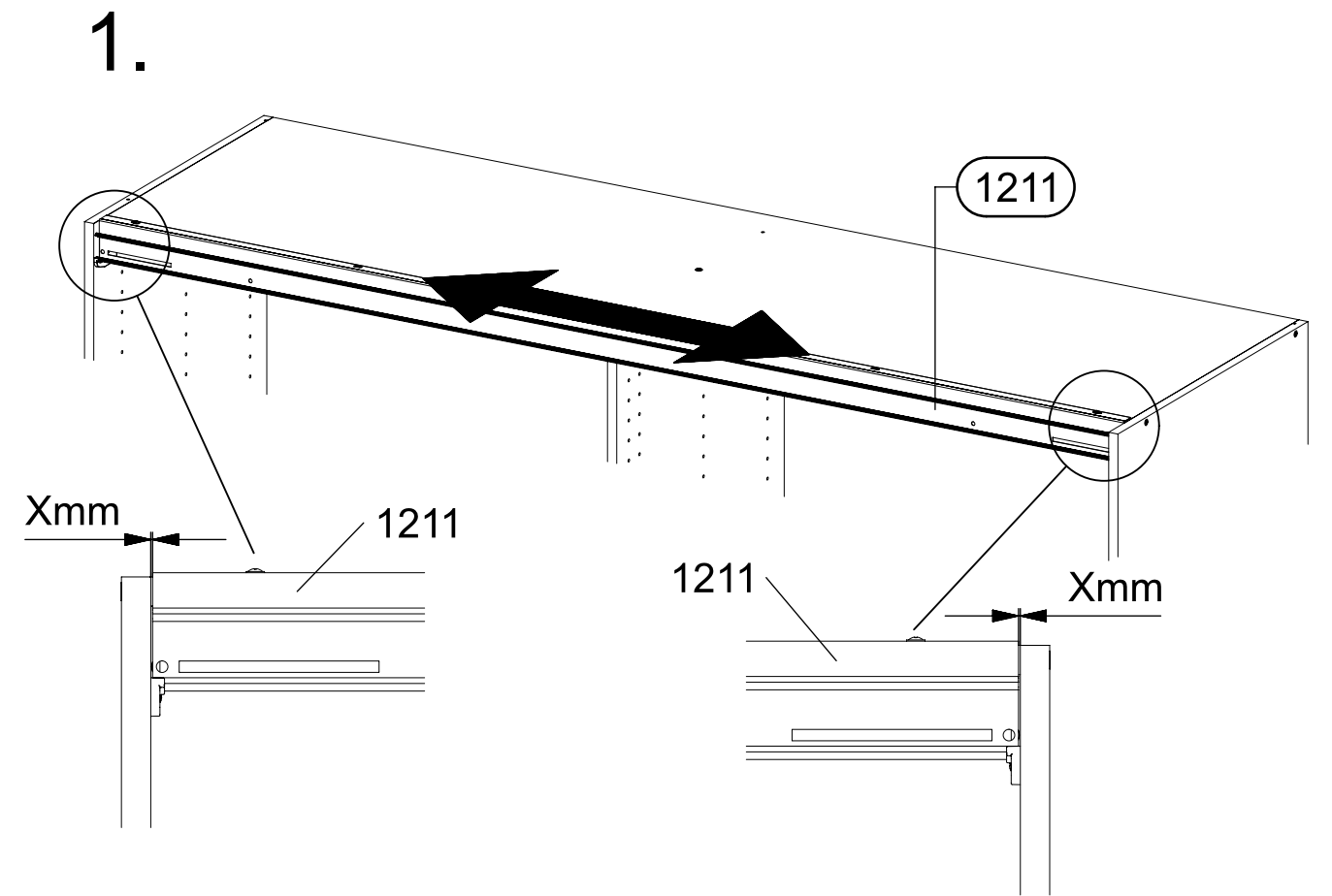
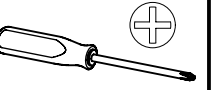
MS010

14

4x (211) M4x12 4x (580) M4



15

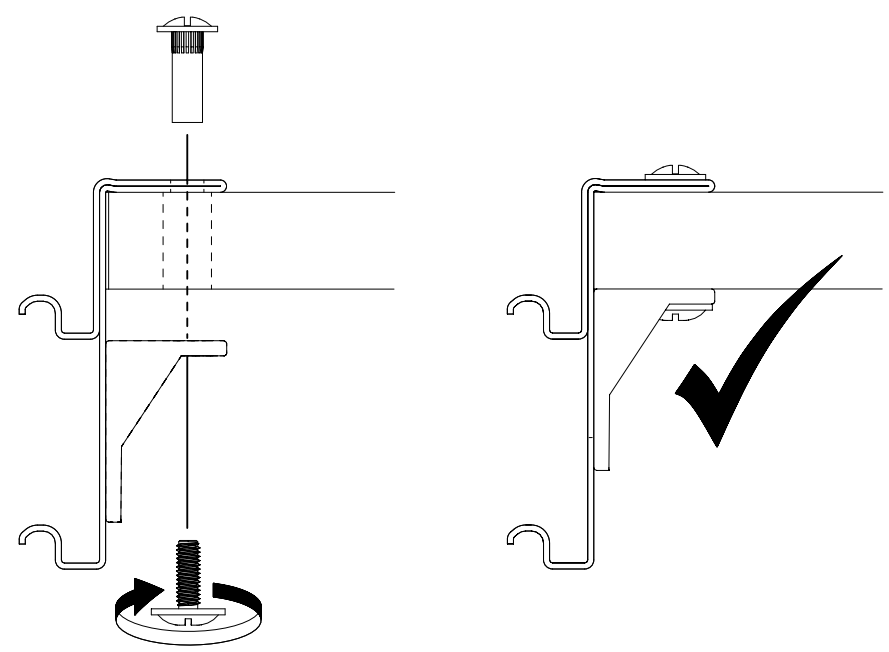
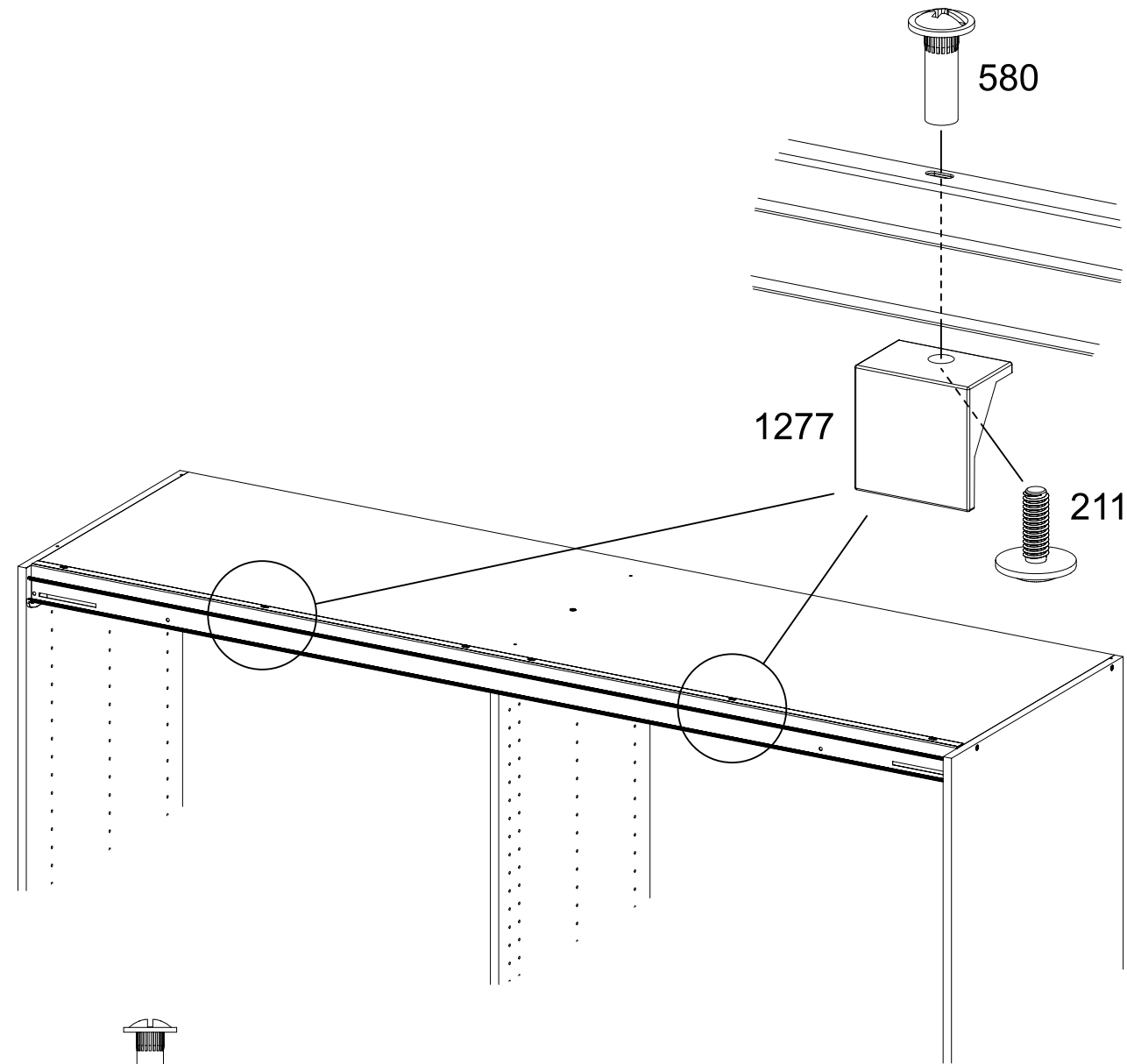
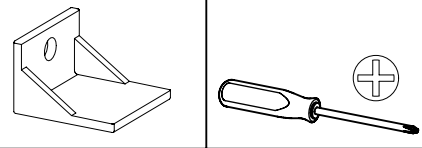


16

2x 211 M4x12

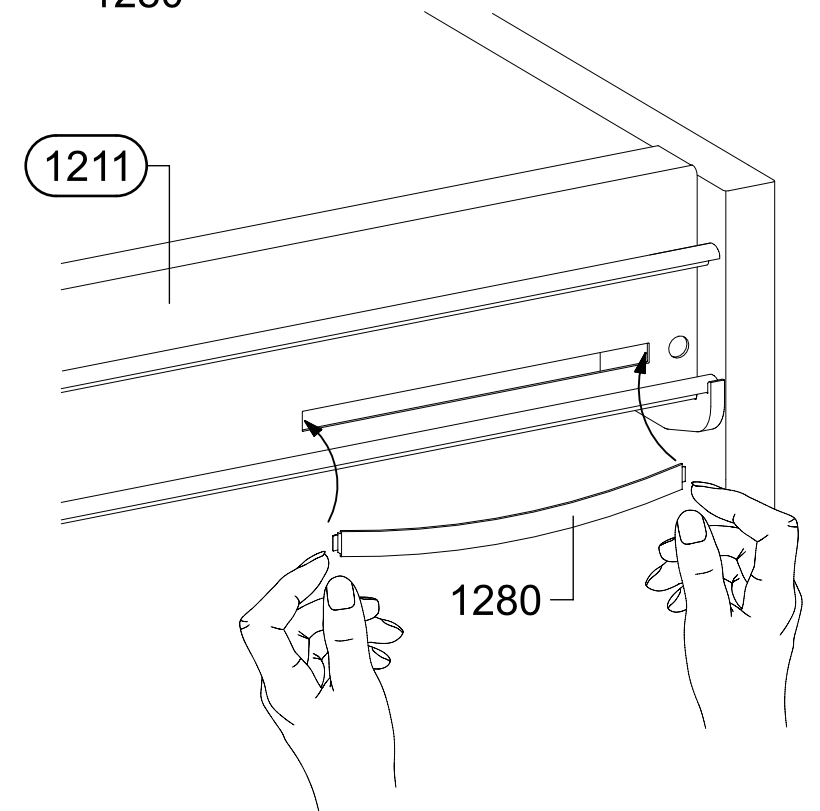
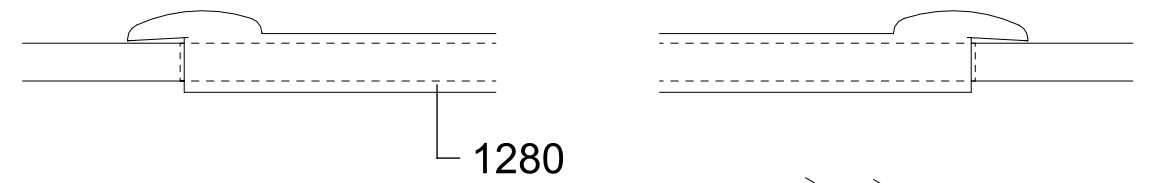
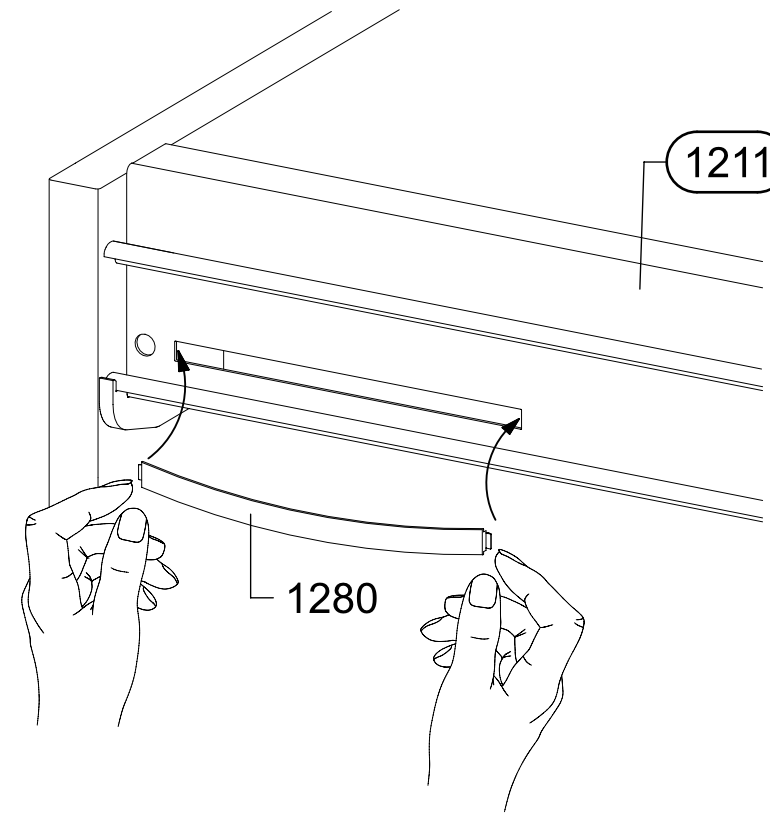
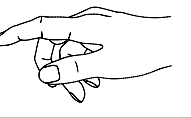
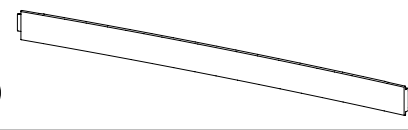
2x 580 M4

2x 1277



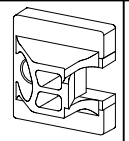
17

2x 1280

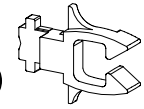


18

2x 1167



2x 1168

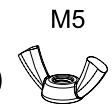


2x 1279

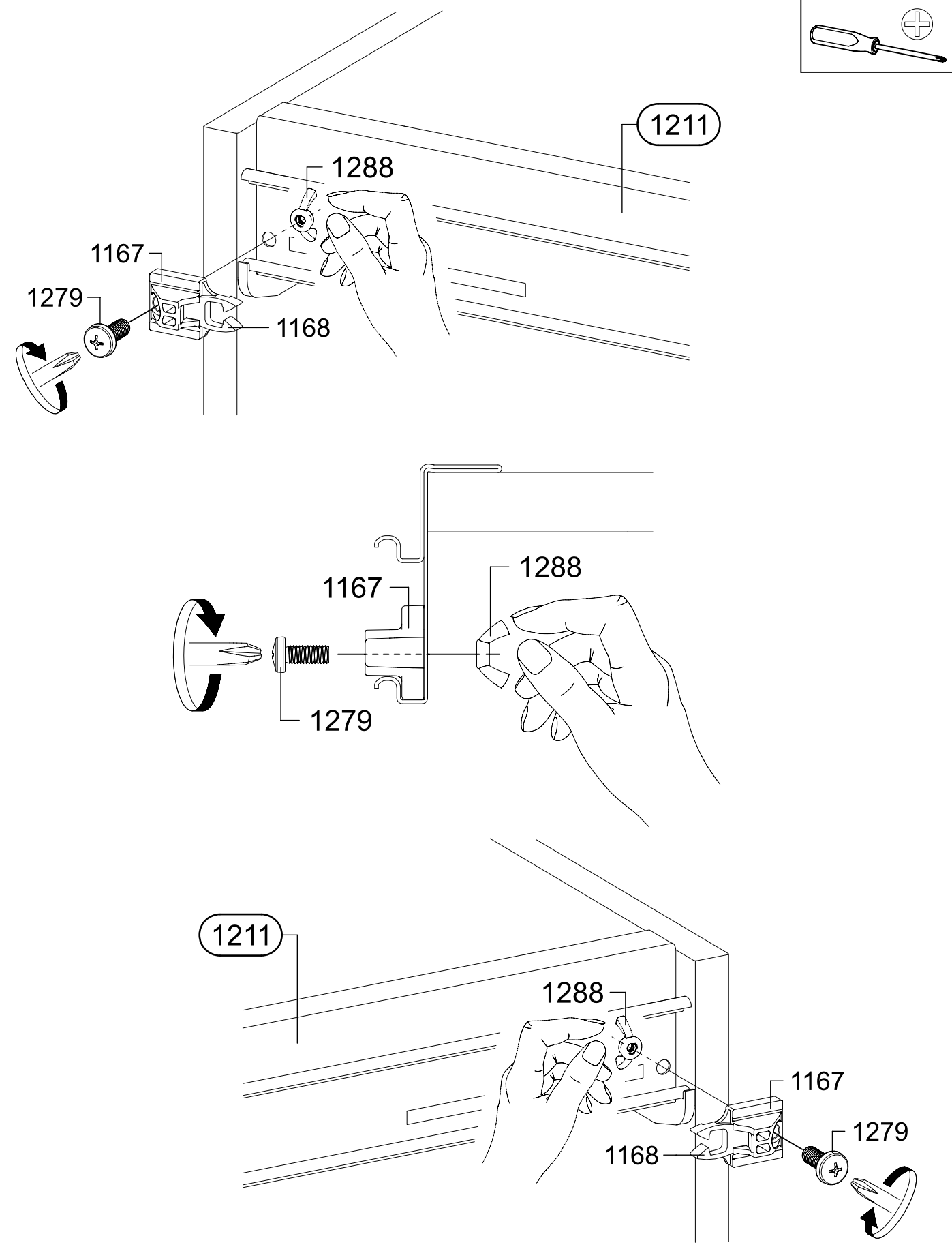
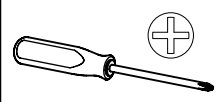
M5x12



2x 1288



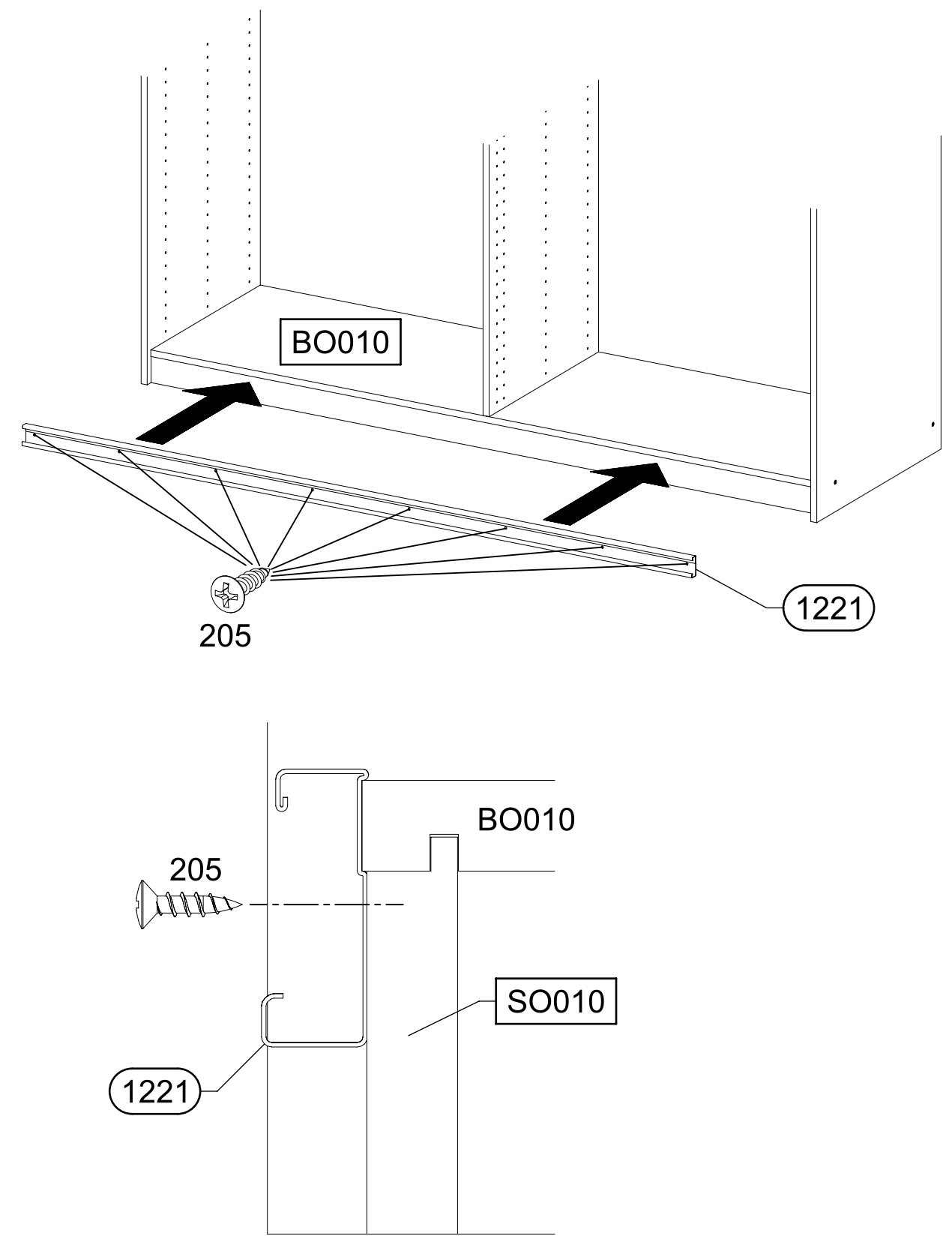
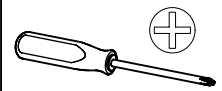
M5



19

8x 205

3,5x15

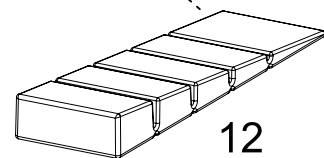
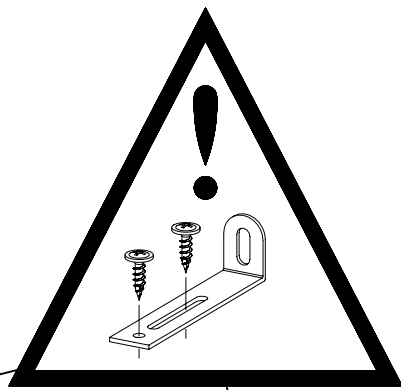
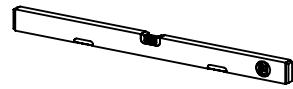
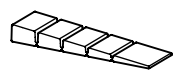


20

2x

12

55x16x6,2

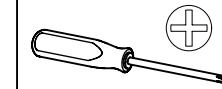
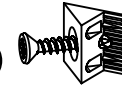


12

21

8x

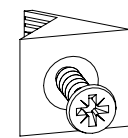
45



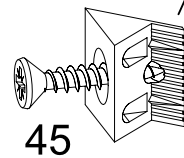
SE010

MS010

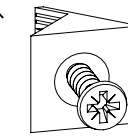
SE020



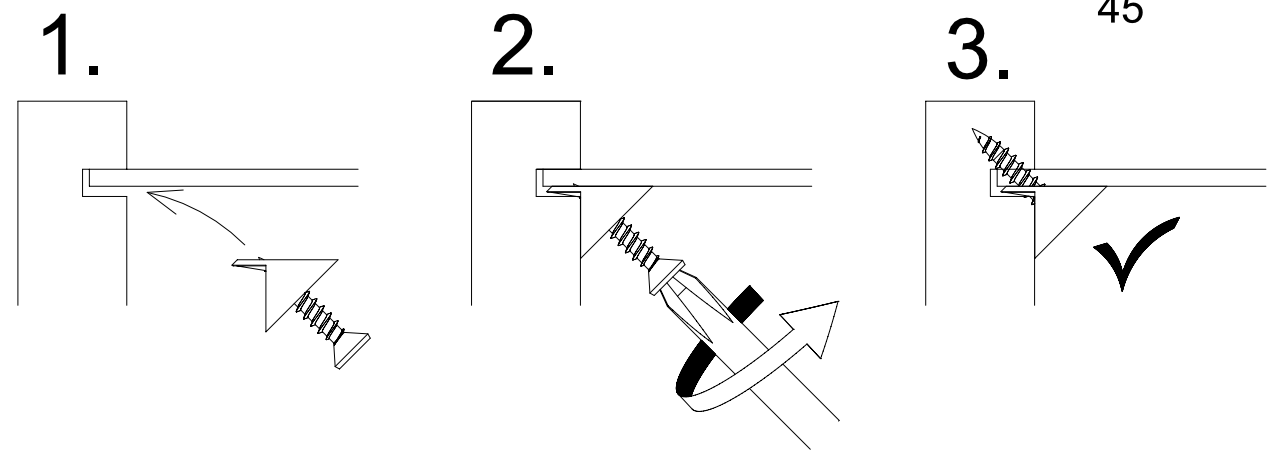
45



45



45



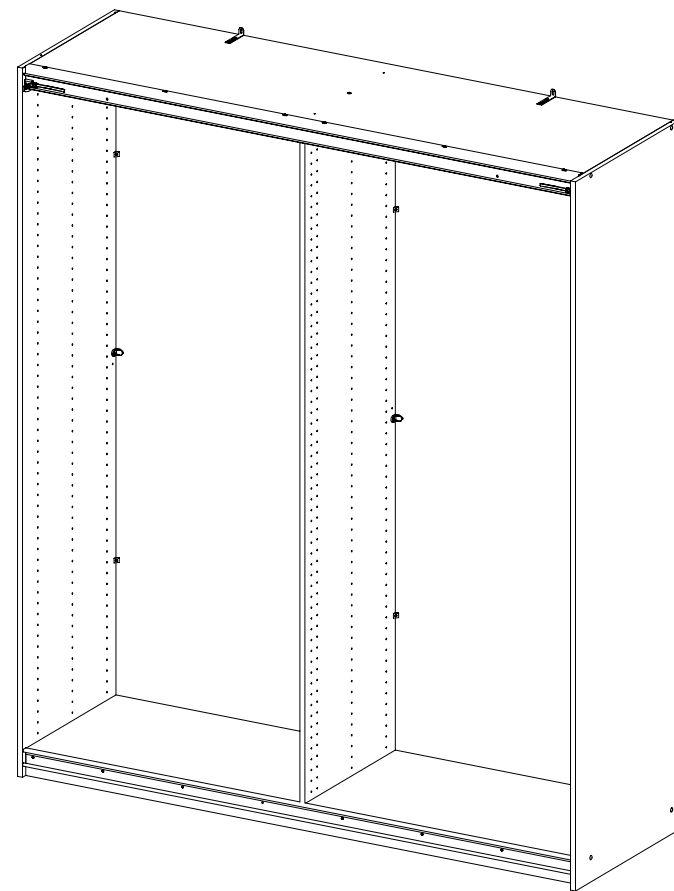
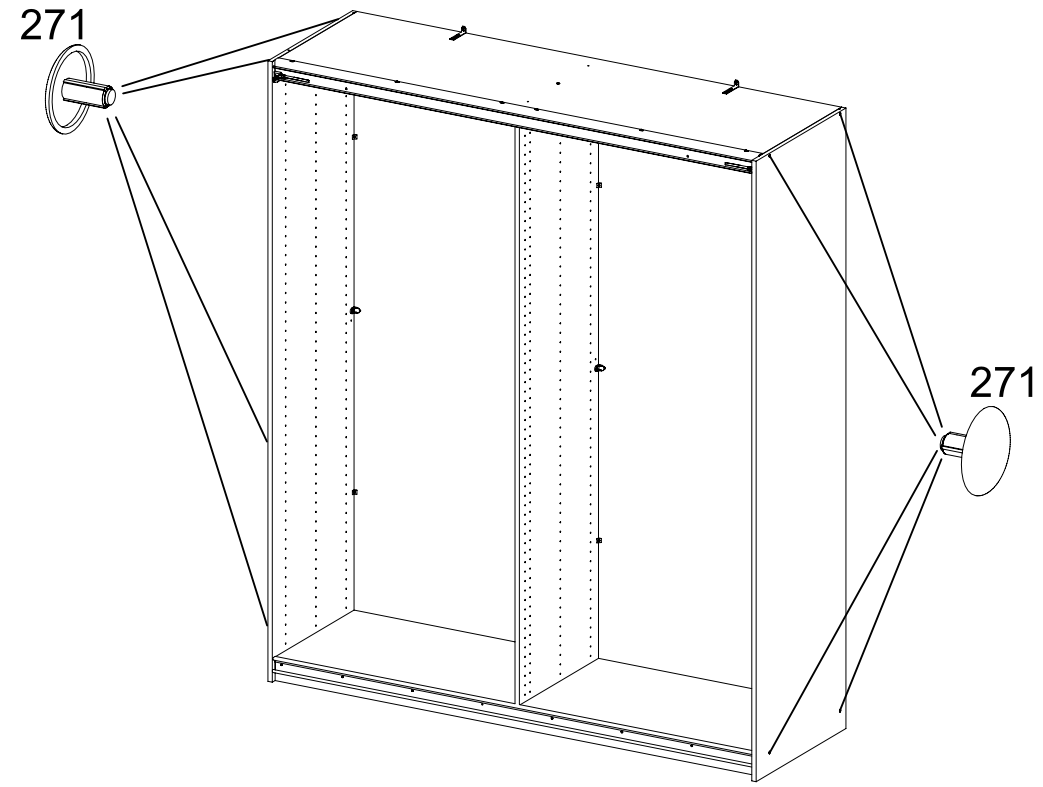
1.

2.

3.

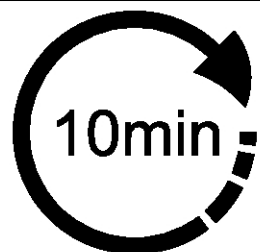
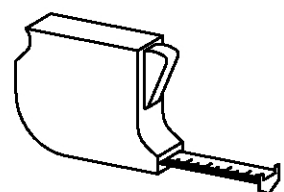
22

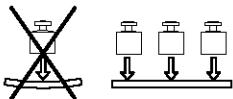
8x 271 

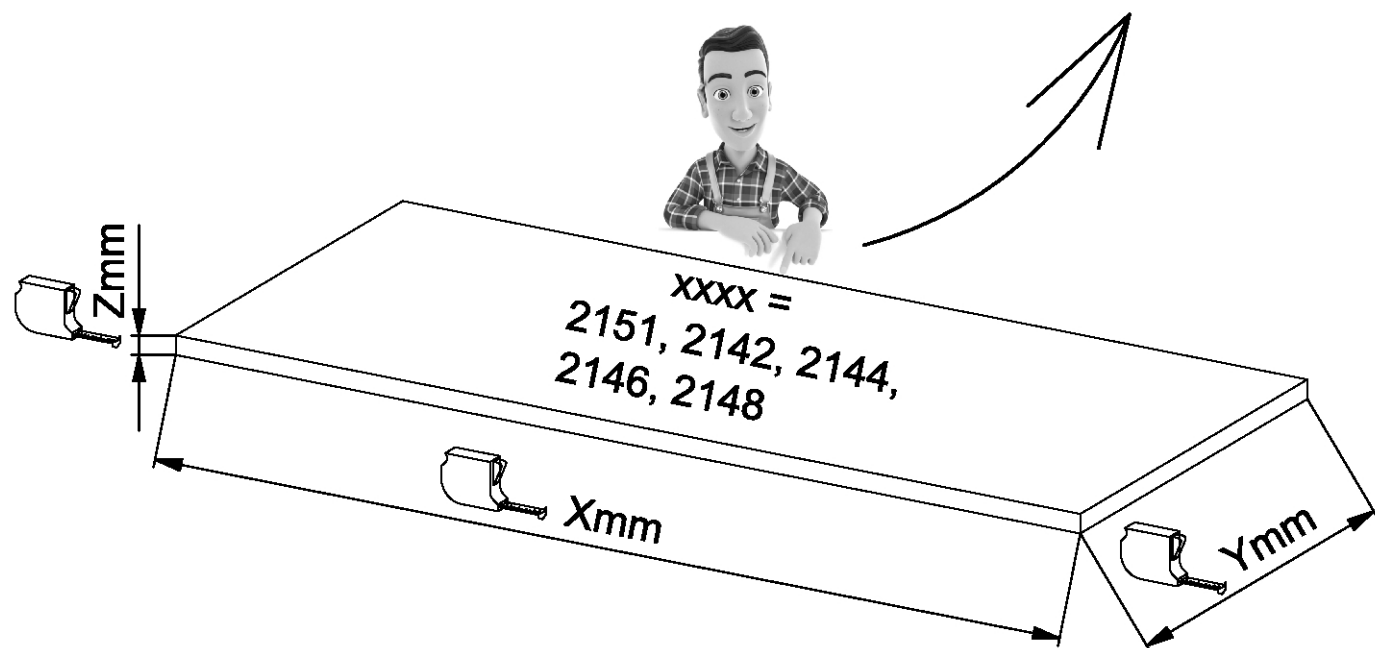


MZ113_03


rauch

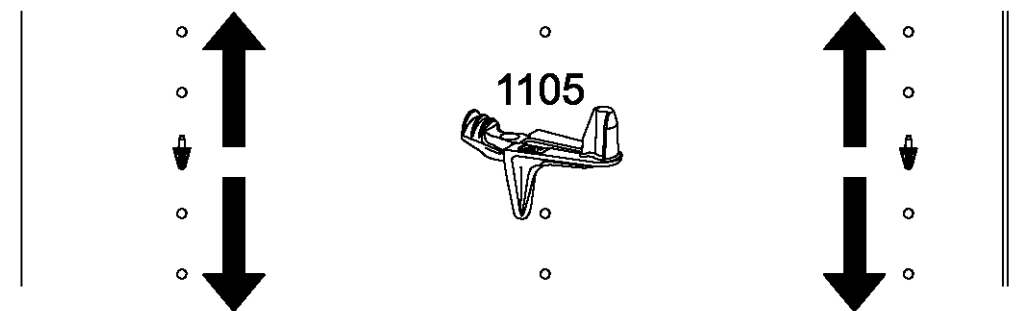


| Xmm | Ymm | Zmm |  | xxxx |
|--------|-------|------|--|------|
| 241mm | 480mm | 16mm | max. 10kg | 2151 |
| 432mm | 480mm | 16mm | max. 10kg | 2142 |
| 656mm | 480mm | 16mm | max. 10kg | 2144 |
| 880mm | 480mm | 16mm | max. 10kg | 2146 |
| 1104mm | 480mm | 22mm | max. 25kg | 2148 |

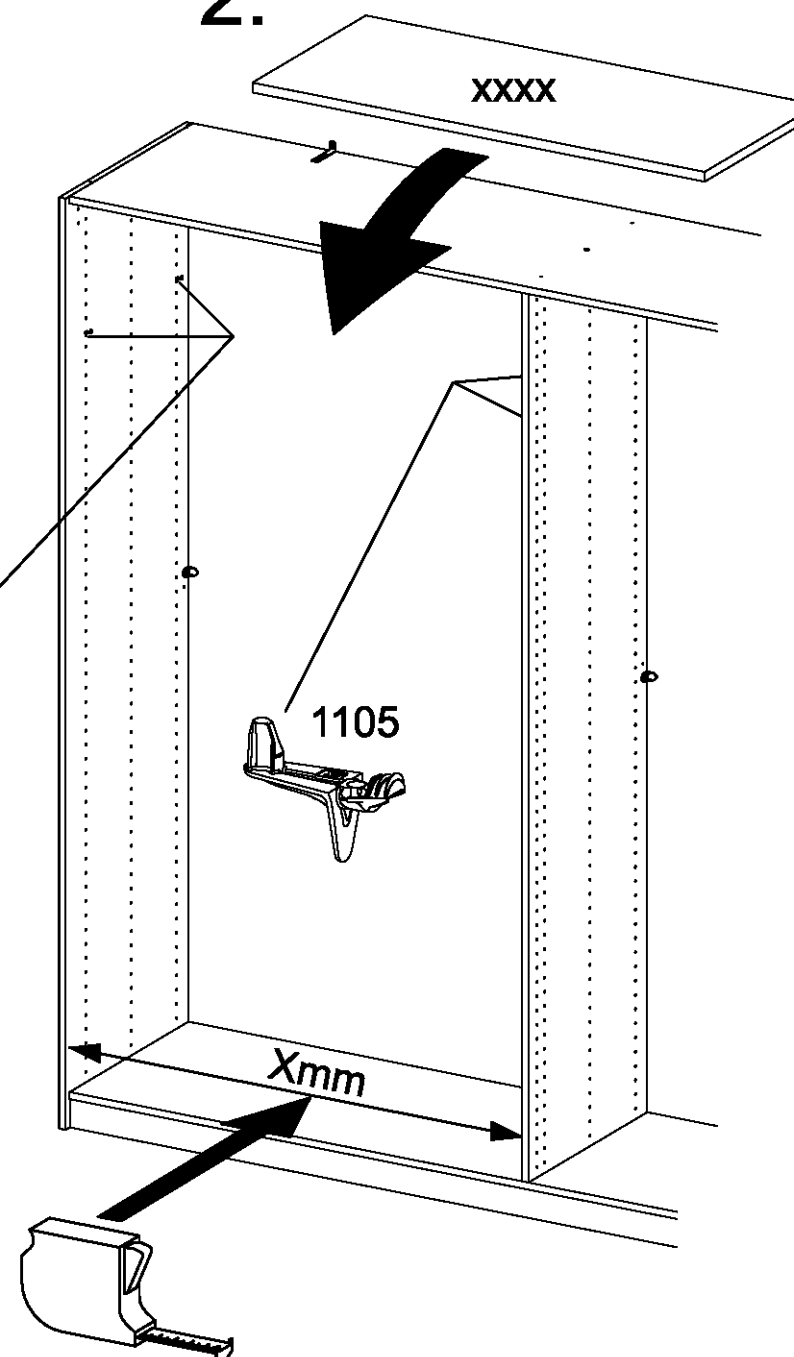


1

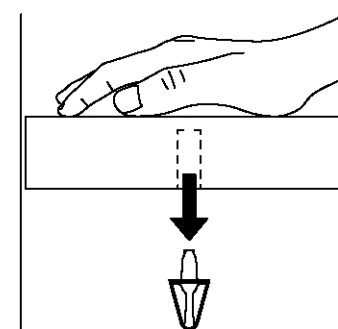
4x 1105 



2.

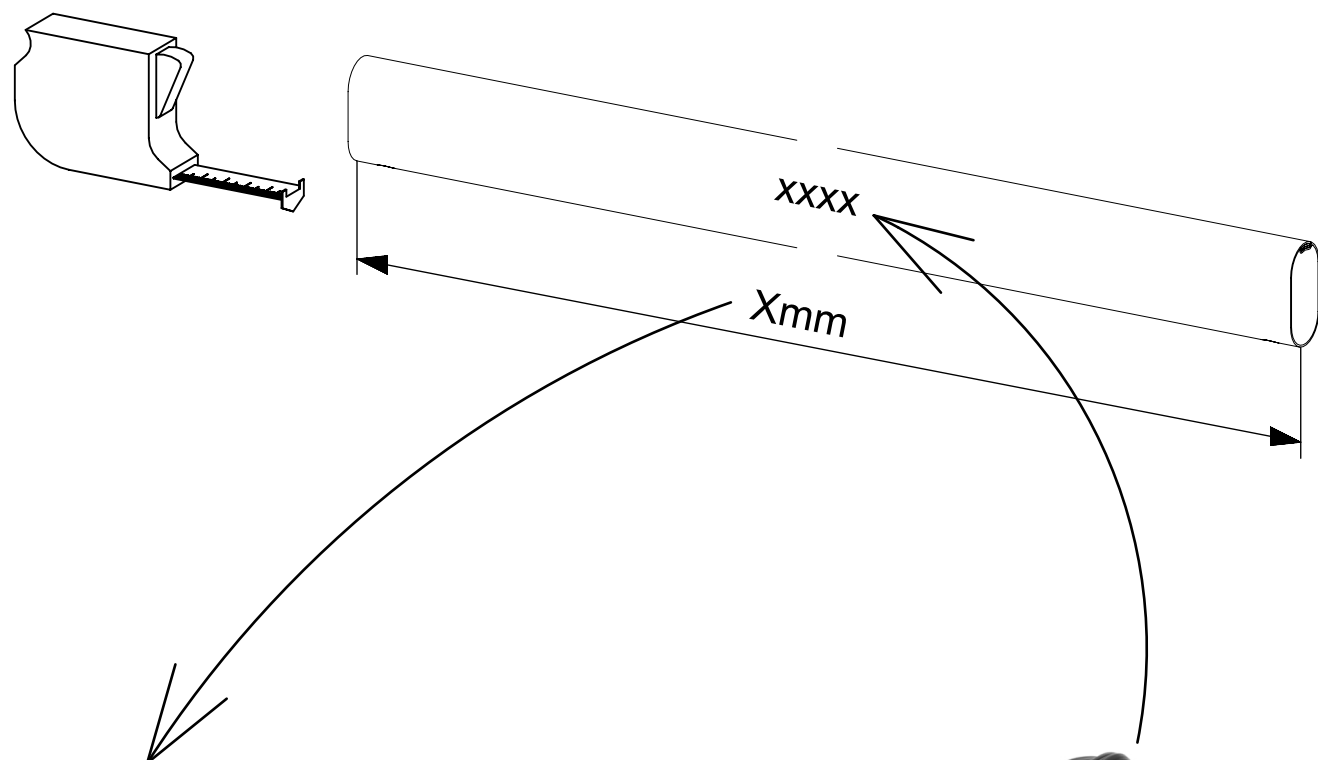
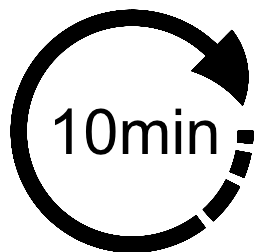
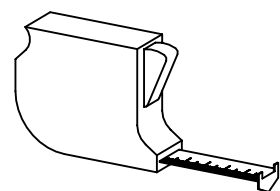
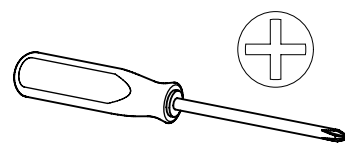


3.



MZ110_03

rauch



| Xmm | | xxxx |
|--------|-----------|------|
| 393mm | max. 40kg | 2000 |
| 426mm | max. 40kg | 2001 |
| 563mm | max. 40kg | 2002 |
| 650mm | max. 40kg | 2003 |
| 809mm | max. 40kg | 2004 |
| 873mm | max. 40kg | 2006 |
| 890mm | max. 40kg | 2010 |
| 1097mm | max. 40kg | 2008 |



xxxx = 2000, 2001,
2002, 2003,
2004, 2006,
2008, 2010,



1

2x 3,5x15

2x

