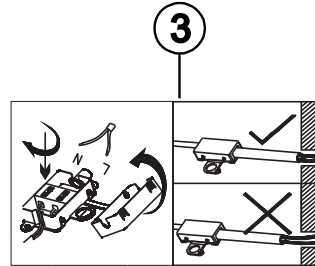
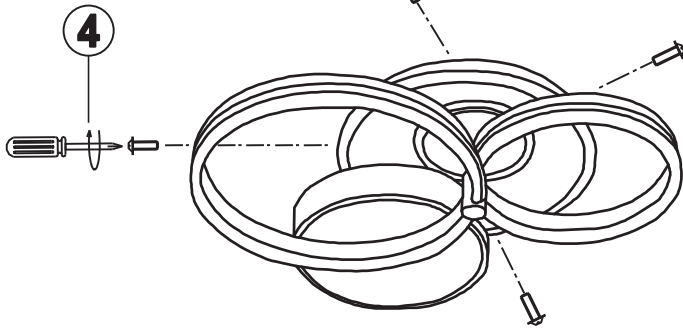
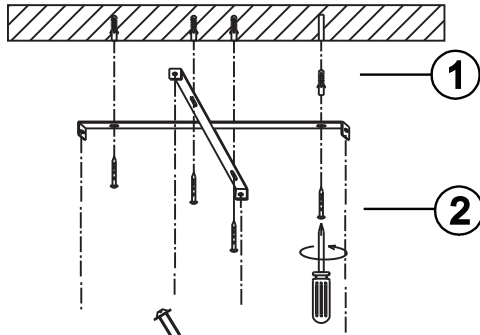
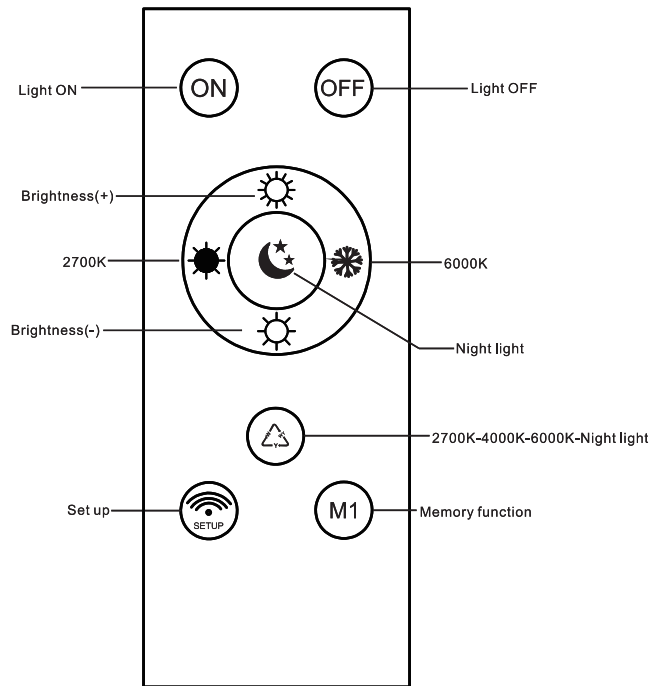
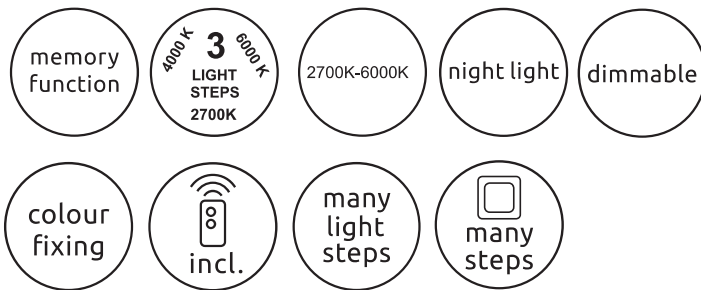


**B**

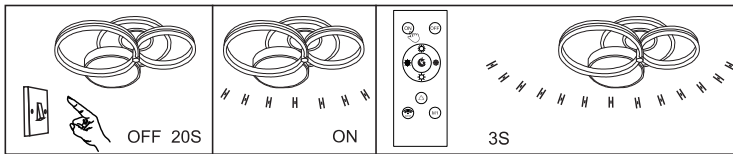


**GLOBO**  
LIGHTING  
www.globo-lighting.com

**48448-48SH**

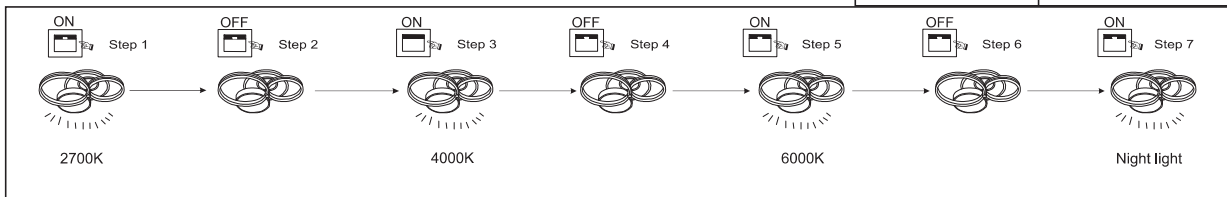


Reset remote control

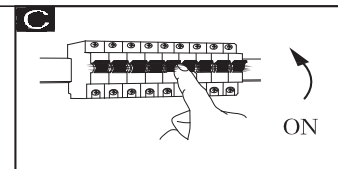


**48W LED DC 41.6V**  
**220-240V~ 50/60Hz**

| Frequency Bandwidth | Maximal radiation transmitting power |
|---------------------|--------------------------------------|
| 2465MHz             | 8dBm                                 |



GLOBO Handels GmbH  
Gewerbstrasse 3  
A-9184 Sankt Peter  
AUSTRIA



**Download  
Tuya App:**



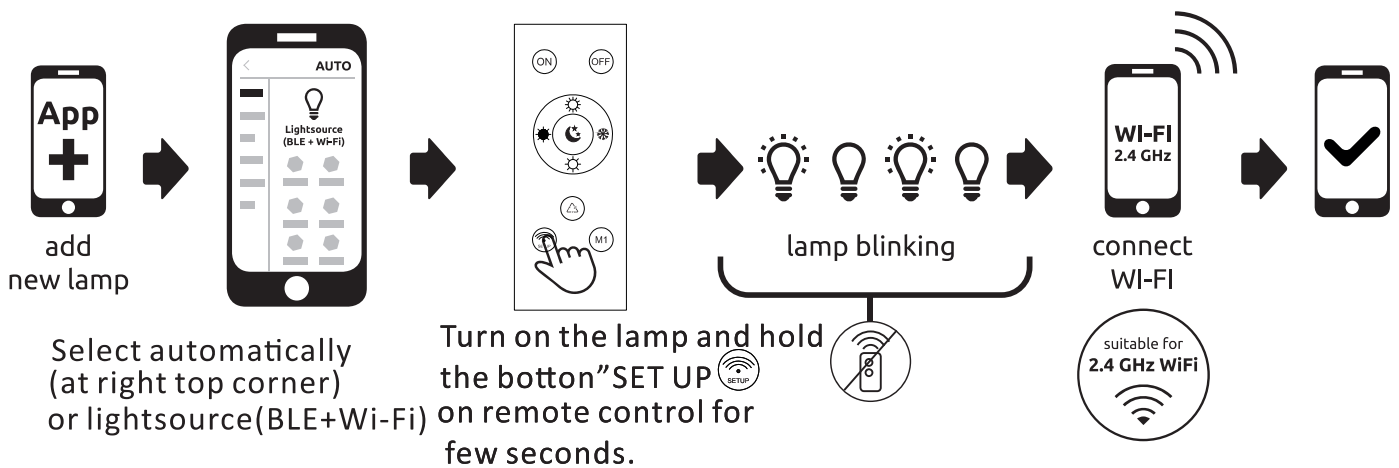
**Get latest  
manual:**



**Functional  
Video:**



## Tuya App - Pairing Process



08:00 to 16:00  
(Monday to Friday)

+43 (0)4253 320 50 083

( Please consider, your telephone operator's usual charges for calls to Austria will apply. )

